

# SAFETY BLOCK TRUE UNION BALL VALVE(NEW)



**CA Series**

**新型安全雙由任球閥**

**CA100 Socket/ CA200 Thread/ CA300 Flanged  
Size: 1/2"- 4"**

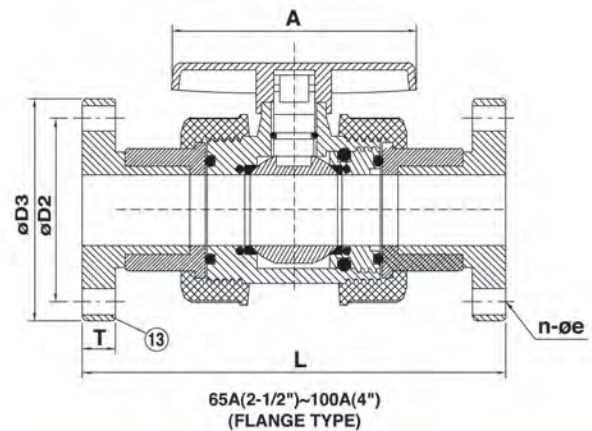
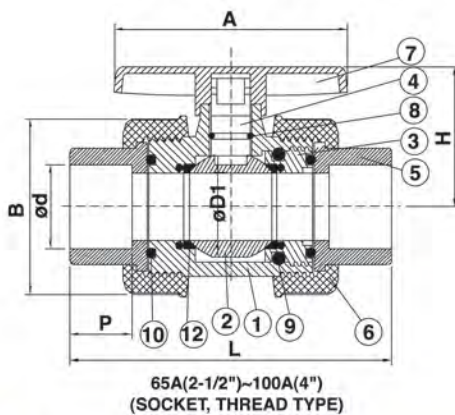
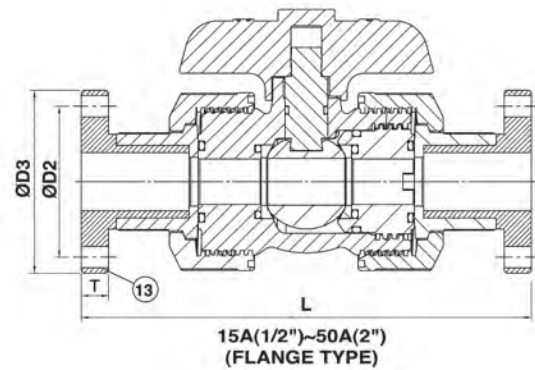
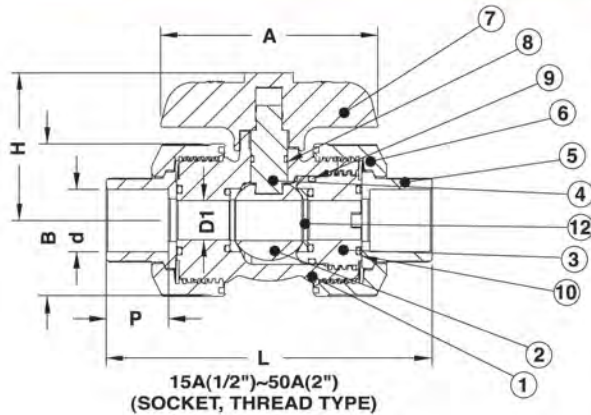
- Low Operation Torque
- The Key Design on the handle to remove the threaded seat cartridge easily.
- Nice, neat outer appearance design.

## MATERIALS OF CONSTRUCTION

Item	Parts	Pcs	Materials	Item	Parts	Pcs	Materials
1	Body	1	UPVC, PP, CPVC, PVDF	8	Stem O'ring	15A-50A1 65A-100A2	EPDM,VITON
2	Ball	1	UPVC, PP, CPVC, PVDF	9	Body O'ring	1	EPDM,VITON
3	Sea Carrier	1	UPVC, PP, CPVC, PVDF	10	Seat Carrier O'ring	1	EPDM,VITON
4	Stem	1	UPVC, PP, CPVC, PVDF	12	Seat	2	TEFLON
5	End Connector	2	UPVC, PP, CPVC, PVDF	13	Flanges	2	UPVC, PP, CPVC, PVDF
6	Union Nut	2	UPVC, PP, CPVC, PVDF				
7	Handle	1	ABS				

## DIMENSIONS TABLE

JIS																Unit:mm
Size	D1	D2	D3	d		e	n	P	L			A	T	H	B	TestPress kgf/cm <sup>2</sup>
				Socket	Thread				Socket	Thread	Flange					
1/2"	14.3	70	95	22	PT1/2	15	4	22.23	117	117	156	77	15	55	54.5	15
3/4"	19.2	75	100	26	PT3/4	15	4	25.4	133	133	173	85	16	60	65.3	15
1"	25.8	90	125	32	PT1	19	4	28.58	149	149	196	98	17	71	73	15
1-1/4"	38	100	135	38	PT1-1/4	19	4	31.75	172.5	172.5	218	109	17	75	81	15
1-1/2"	38	105	140	48	PT1-1/2	19	4	34.93	190	190	236	118	17	95	98	15
2"	48	120	155	60	PT2	19	4	38.10	204.5	204.5	255	137	20	104	120	15
2-1/2"	65	140	175	76	PT2-1/2	19	4	44.45	228	228	282	190	20	140	150	10
3"	78	150	185	89	PT3	19	8	47.63	270	270	330	230	23	165	184	10
4"	102	175	210	114	PT4	19	8	57.15	324	324	385	274	23	172	226	10



## DIMENSIONS TABLE

ANSI															Unit:inch	
Size	D1	D2	D3	d		e	n	P	L			A	T	H	B	Test Press lb/in <sup>2</sup>
				Socket	Thread				Socket	Thread	Flange					
1/2"	0.563	2.375	3.500	0.848	NPT1/2	0.625	4	0.875	4.57	4.57	6.06	3.03	0.591	2.17	2.17	222
3/4"	0.756	2.750	3.875	1.058	NPT3/4	0.625	4	1.000	5.24	5.24	6.54	3.35	0.630	2.36	2.56	222
1"	1.016	3.125	4.250	1.325	NPT1	0.625	4	1.125	5.87	5.87	7.60	3.86	0.669	2.80	2.87	222
1-1/4"	1.496	3.500	4.625	1.670	NPT1-1/4	0.625	4	1.250	6.77	6.77	8.58	4.29	0.669	2.95	3.19	222
1-1/2"	1.496	3.875	5.000	1.912	NPT1-1/2	0.625	4	1.375	7.48	7.48	9.29	4.65	0.709	3.74	3.86	222
2"	1.886	4.750	6.000	2.387	NPT2	0.750	4	1.500	8.07	8.07	10.07	5.39	0.787	4.09	4.72	222
2-1/2"	2.560	5.500	7.000	2.889	NPT2-1/2	0.750	4	1.750	8.97	8.97	11.10	7.48	0.787	5.51	5.90	148
3"	3.070	6.000	7.500	3.515	NPT3	0.750	4	1.875	10.62	10.62	13.00	9.06	0.90	6.50	7.24	148
4"	4.01	7.500	9.000	4.518	NPT4	0.750	8	2.250	12.76	12.76	15.15	10.79	0.90	6.77	10.31	148

DIN															Unit:mm	
Size	D1	D2	D3	d		e	n	P	L			A	T	H	B	Test Press kgf/cm <sup>2</sup>
				Socket	Thread				Socket	Thread	Flange					
1/2"	14.3	65	95	20	R1/2	14	4	16.0	117	117	156	77	15	55	54.5	15
3/4"	19.2	75	105	25	R3/4	14	4	18.5	133	133	173	85	16	60	65.3	15
1"	25.8	85	115	32	R1	14	4	22.0	149	149	196	98	17	71	73	15
1-1/4"	38	100	140	40	R1-1/4	18	4	26.0	172.5	172.5	218	109	17	75	81	15
1-1/2"	38	110	150	50	R1-1/2	18	4	31.0	190	190	236	118	17	95	98	15
2"	48	120	165	63	RT2	18	4	37.5	204.5	204.5	255	137	20	104	120	15
2-1/2"	65	145	185	75	R2-1/2	18	4	43.5	228	228	282	190	20	140	150	10
3"	78	160	200	90	R3	18	8	51.0	270	270	330	230	23	165	184	10
4"	102	180	220	110	R4	18	8	61.0	324	324	385	274	23	172	226	10

※ 本尺表以PVC材質為基準 本表試壓值以PVC、PVDF材質為基準 PP材質試壓值為本表試壓值之70%

※ The dimension table is calculably based on PVC material.  
 ※ The value of test pressure is calculably based on PVC PVDF materials.  
 ※ The value of test pressure for PP material is 70% based on this table.