



# TRUE UNION (DOUBLE UNION) BALL VALVE



**CD Series**

**雙油任球閥**

**CD100 SOCKET/ CD200 THREAD/ CD300 FLANGE**  
**Size: 1/2" - 4"**

本產品榮獲NSF 14/NSF 61認證合格

## MATERIALS OF CONSTRUCTION

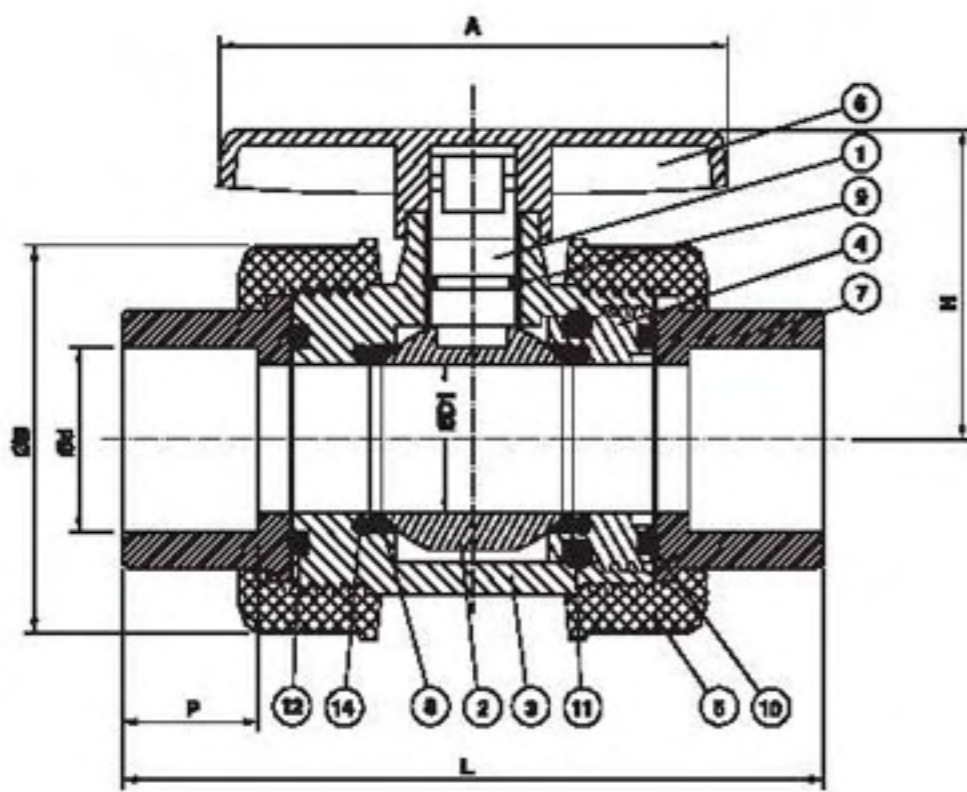
內部零件材料表

Item	Parts	Pcs	Materials	Item	Parts	Pcs	Materials
1	STEM 軸心	1	UPVC,PP,CPVC,PVDF	8	SEAT 墊片	2	PTFE
2	BALL 球仔	1	UPVC,PP,CPVC,PVDF	9	STEM O-RING 軸心O-環	(1).DN15-50 (2).DN65-100	EPDM,VITON
3	BODY 本體	1	UPVC,PP,CPVC,PVDF	10	SEAT CARRIER O-RING 內蓋O-環	1	EPDM,VITON
4	SEAT CARRIER 內蓋	1	UPVC,PP,CPVC,PVDF	11	BODY O-RING 本體O-環	1	EPDM,VITON
5	UNION NUT 由任大殼	2	UPVC,PP,CPVC,PVDF	12	SOLID END O-RING 接頭	1	EPDM,VITON
6	HANDLE 把手	1	ABS	13	FLANGE 法蘭	2	UPVC,PP,CPVC,PVDF
7	END CONNECTOR 接頭	2	UPVC,PP,CPVC,PVDF				

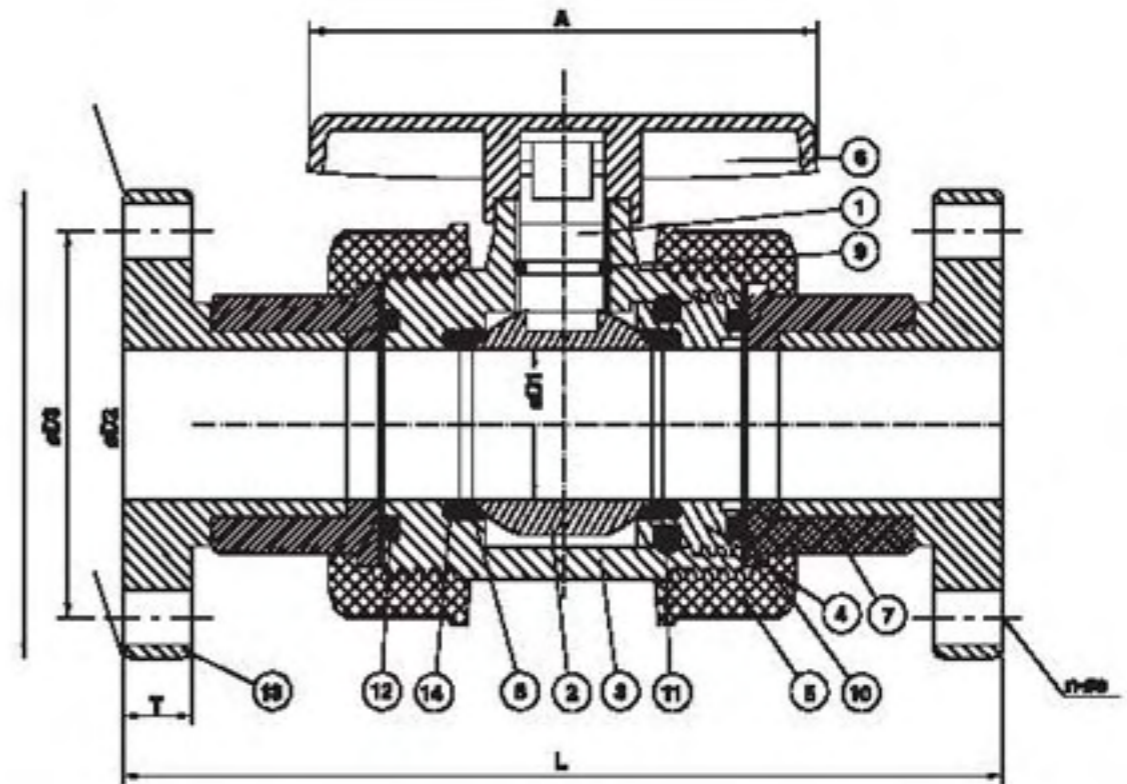
## DIMENSIONS TABLE

尺寸表

Nom Size DN-Inch	D1	D2	D3	JIS									Unit:mm			
				d		øe	n	P	L			A	T	H	B	Test Press kgf/cm <sup>2</sup>
				Socket	Thread				Socket	Thread	Flange					
15(1/2")	15	70	95	22	PT1/2	15	4	22.2	113	113	151	82	15	61	47	15
20(3/4")	20	75	100	26	PT3/4	15	4	25.4	131	131	171	101	15	64	61	15
25(1")	25	90	125	32	PT1	19	4	28.6	146	146	190	110	17	70	70	15
32(1-1/4")	38	100	135	38	PT1-1/4	19	4	31.6	186	186	232	126	17	63	93	15
40(1-1/2")	38	105	140	48	PT1-1/2	19	4	34.9	186	186	232	126	17	83	93	15
50(2")	48	120	155	60	PT2	19	4	38.1	197	197	250	152	20	102	113	15
65(2-1/2")	65	140	175	76	PT2-1/2	19	4	44.5	228	228	282	190	20	140	160	10
80(3")	78	150	185	89	PT3	19	8	47.6	270	270	330	230	23	165	184	10
100(4")	102	175	210	114	PT4	19	8	57.2	324	324	385	274	23	172	226	10



SOCKET & THREAD TYPE



FLANGE TYPE

## DIMENSIONS TABLE

尺寸表

ANSI														Unit:inch		
Nom Size DN-Inch	D1	D2	D3	d		øe	n	P	L			A	T	H	B	Test Press lb/in <sup>2</sup>
				Socket	Thread				Socket	Thread	Flange					
15(1/2")	0.591	2.375	3.500	0.848	NPT1/2	0.625	4	0.875	4.448	4.448	5.944	3.228	0.590	2.007	1.850	222
20(3/4")	0.78	2.750	3.675	1.058	NPT3/4	0.625	4	1.000	5.157	5.157	6.732	3.976	0.590	2.250	2.402	222
25(1")	0.984	3.125	4.250	1.325	NPT1	0.625	4	1.125	5.748	5.748	7.480	4.370	0.669	2.755	2.755	222
32(1-1/4")	1.496	3.500	4.625	1.670	NPT1-1/4	0.625	4	1.250	7.320	7.320	9.133	4.961	0.669	3.268	3.661	222
40(1-1/2")	1.496	3.875	5.000	1.912	NPT1-1/2	0.625	4	1.375	7.320	7.320	9.133	4.961	0.700	3.268	3.661	222
50(2")	1.89	4.750	6.000	2.387	NPT2	0.750	4	1.500	7.756	7.756	9.842	5.984	0.820	4.016	4.449	222
65(2-1/2")	2.56	5.500	7.000	2.889	NPT2-1/2	0.750	4	1.750	8.976	8.976	11.102	7.460	0.787	5.512	5.905	148
80(3")	3.071	6.000	7.500	3.516	NPT3	0.750	4	1.875	10.629	10.629	12.992	9.055	0.905	6.496	7.244	148
100(4")	4.01	7.500	9.000	4.518	NPT4	0.750	8	2.250	12.755	12.755	15.157	10.787	0.905	6.772	10.31	148

DIN														Unit:mm		
Nom Size DN-Inch	D1	D2	D3	d		øe	n	P	L			A	T	H	B	Test Press kgf/cm <sup>2</sup>
				Socket	Thread				Socket	Thread	Flange					
15(1/2")	15	65	95	20	R1/2	14	4	16.0	113	113	151	82	15	51	47	15
20(3/4")	20	75	105	25	R3/4	14	4	18.5	121	131	171	101	15	64	61	15
25(1")	25	85	115	32	R1	14	4	22.0	146	146	190	110	17	70	70	15
32(1-1/4")	38	100	140	40	R1-1/4	18	4	26.0	166	166	232	128	17	83	93	15
40(1-1/2")	38	110	150	50	R1-1/2	18	4	31.0	186	186	232	126	17	83	93	15
50(2")	48	125	165	63	R2	18	4	37.5	197	197	260	152	20	102	113	15
65(2-1/2")	65	145	185	75	R2-1/2	18	4	43.5	228	228	282	190	20	140	150	10
80(3")	78	160	200	90	R3	18	8	51.0	270	270	330	230	23	165	184	10
100(4")	102	180	220	110	R4	18	8	61.0	324	324	385	274	23	172	226	10

\* 本尺寸表以PVC材質為基準 本表試驗應以PVC、PVDF材質為基準 PP材質試驗應為本表試驗值之70%

\* The dimension table is calculably based on PVC material.  
The value of test pressure is calculably based on PVC PVDF materials.  
The value of test pressure for PP material is 70% based on this table.