



# TRUE UNION SAFETY BLOCK BALL VALVE WITH MOUNTING PADS



**CH Series**

**安全球閥加埋銅座**

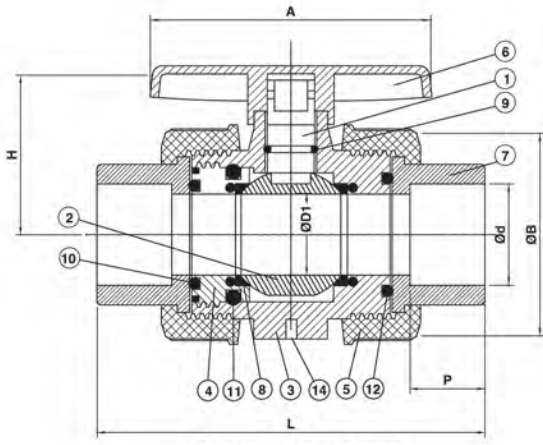
**CH100 SOCKET/ CH200 THERAD/ CH300 FLANGED**  
**Size:DN15-DN100**

## MATERIALS OF CONSTRUCTION

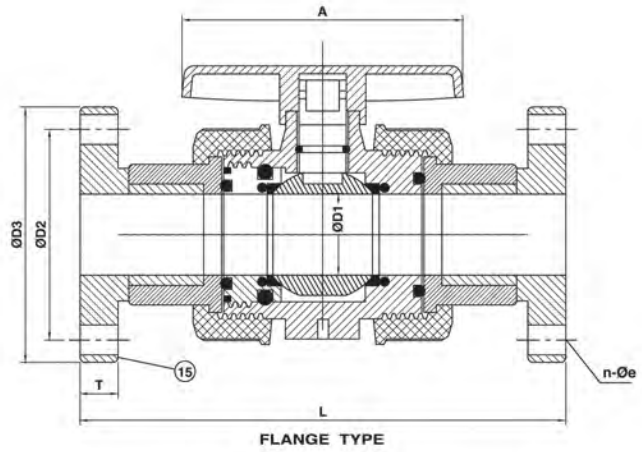
NO.	Parts	Pcs.	Materials	NO.	Parts	Pcs.	Materials
1	STEM	1	UPVC, PP, CPVC, PVDF	8	SEAT	2	TEFLON
2	BALL	1	UPVC, PP, CPVC, PVDF	9	STEM O'RING	15A-50A 1 65A-100A 2	EPDM, VITON
3	BODY	1	UPVC, PP, CPVC, PVDF	10	SEAT CARRIER O'RING	1	EPDM, VITON
4	SEAT CARRIER	1	UPVC, PP, CPVC, PVDF	11	BODY O'RING	1	EPDM, VITON
5	UNION NUT	2	UPVC, PP, CPVC, PVDF	12	SOLID END O'RING	1	EPDM, VITON
6	HANDLE	1	ABS	14	MOUNTING PAD (UP & DOWN)	15A-50A 4 65A-100A 8	BRASS, SUS304
7	END CONNECTOR	2	UPVC, PP, CPVC, PVDF	15	FLANGES	2	UPVC, PP, CPVC, PVDF

## DIMENSIONS TABLE

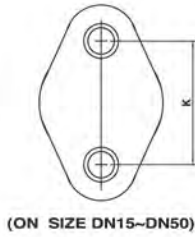
Nominal Pipe Size	JIS																	Unit: mm		
	D1	D2	D3	d			L			H	A	B	T	K	E	S	S1	Working press (kgf/cm <sup>2</sup> )		
				Socket	Thread	e	n	P	Socket										Thread	Flange
15(1/2")	15	70	95	22	PT1/2"	15	4	22.2	115	115	152	51	82.7	53.2	15	31	-	3/16"-24G	4	10
20(3/4")	19	75	100	26	PT3/4"	15	4	25.4	128	128	163	63	101.2	63	15	37	-	1/4"-20G	4	10
25(1")	25	90	125	32	PT 1"	19	4	28.6	144	144	187	72	111.8	72.2	17	40	-	1/4"-20G	4	10
32(1-1/4")	38	100	135	38	PT1-1/4"	19	4	31.8	183	183	225	86	121.4	97	17	55	-	5/16"-18G	4	10
40(1-1/2")	38	105	140	48	PT1-1/2"	19	4	34.9	183	183	232	86	121.4	97	19	55	-	5/16"-18G	4	10
50(2")	48	120	155	60	PT 2"	19	4	38.1	202	202	253	100	149.3	118.9	21	68	-	5/16"-18G	4	10
65(2-1/2")	65	140	175	76	PT2-1/2"	19	4	44.5	228	228	282	140	190	150.1	21	80	41	5/16"-18G	8	7
80(3")	78	150	185	89	PT 3"	19	8	47.6	270	270	327	165.1	230	183.9	22	80	41	5/16"-18G	8	7
100(4")	102	175	210	114	PT 4"	19	8	57.2	324	324	385	172	274	226	22	121	50	5/16"-18G	8	7



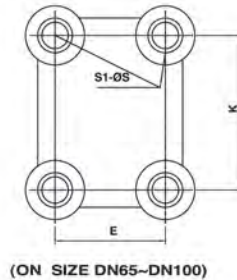
SOCKET & SCREW TYPE



FLANGE TYPE



(ON SIZE DN15-DN50)



(ON SIZE DN65-DN100)

**END VIEW**

Bolts inserted pad pattern

**DIMENSIONS TABLE**

ANSI																				Unit: inch
Nominal Pipe Size	D1	D2	D3	d		e	n	P	L			H	A	B	T	K	E	S	S1	Working press (lb/in <sup>2</sup> )
				Socket	Thread				Socket	Thread	Flange									
15(1/2")	0.59	2.375	3.500	0.848	NPT1/2"	0.625	4	0.875	4.527	4.527	5.984	2.00	3.25	2.10	0.59	1.22	-	3/16"-24G	4	148
20(3/4")	0.748	2.750	3.875	1.058	NPT3/4"	0.625	4	1.000	5.039	5.039	6.417	2.48	3.98	2.48	0.59	1.45	-	1/4"-20G	4	148
25(1")	0.98	3.125	4.250	1.325	NPT 1"	0.625	4	1.125	5.669	5.669	7.36	2.83	4.40	2.84	0.66	1.57	-	1/4"-20G	4	148
32(1-1/4")	1.496	3.500	4.625	1.670	NPT1-1/4"	0.625	4	1.125	7.204	7.204	8.858	3.38	4.78	3.82	0.66	2.16	-	5/16"-18G	4	148
40(1-1/2")	1.496	3.875	5.000	1.912	NPT1-1/2"	0.625	4	1.375	7.204	7.204	9.133	3.38	4.78	3.82	0.75	2.16	-	5/16"-18G	4	148
50(2")	1.89	4.750	6.000	2.387	NPT 2"	0.750	4	1.500	7.952	7.952	9.960	3.93	5.88	4.68	0.83	2.67	-	5/16"-18G	4	148
65(2-1/2")	2.56	5.500	7.000	2.889	NPT2-1/2"	0.750	4	1.750	8.976	8.976	11.102	5.51	7.48	5.91	0.83	3.15	1.61	5/16"-18G	8	100
80(3")	3.07	6.000	7.500	3.515	NPT 3"	0.750	4	1.875	10.629	10.629	12.992	6.50	9.06	7.24	0.866	3.15	1.61	5/16"-18G	8	100
100(4")	4.01	7.500	9.000	4.518	NPT 4"	0.750	8	2.250	12.755	12.755	15.157	6.77	10.97	10.37	0.866	4.76	1.97	5/16"-18G	8	100

DIN																				Unit: mm
Nominal Pipe Size	D1	D2	D3	d		e	n	P	L			H	A	B	T	K	E	S	S1	Working press (kg/cm <sup>2</sup> )
				Socket	Thread				Socket	Thread	Flange									
15(1/2")	15	65	95	20	R1/2"	14	4	16.0	115	115	152	51	82.7	53.2	15	31	-	3/16"-24G	4	10
20(3/4")	19	75	105	25	R3/4"	14	4	18.5	128	128	163	63	101.2	63	15	37	-	1/4"-20G	4	10
25(1")	25	85	115	32	R 1"	14	4	22.0	144	144	187	72	111.8	72.2	17	40	-	1/4"-20G	4	10
32(1-1/4")	38	100	140	40	R1-1/4"	18	4	26.0	183	183	225	86	121.4	97	17	55	-	5/16"-18G	4	10
40(1-1/2")	38	110	150	50	R1-1/2"	18	4	31.0	183	183	232	86	121.4	97	19	55	-	5/16"-18G	4	10
50(2")	48	120	165	63	R 2"	18	4	37.5	202	202	253	100	149.3	118.9	21	68	-	5/16"-18G	4	10
65(2-1/2")	65	145	185	75	R2-1/2"	18	4	43.5	228	228	282	140	190	150.1	21	80	41	5/16"-18G	8	7
80(3")	78	160	200	90	R 3"	18	8	51.0	270	270	327	165.1	230.1	183.9	22	80	41	5/16"-18G	8	7
100(4")	102	180	220	110	R 4"	18	8	61.0	324	324	385	172	274	226	22	121	50	5/16"-18G	8	7

※ 本尺表以PVC材質為基準 本表試壓值以PVC、PVDF材質為基準 PP材質試壓值為本表試壓值之70%

※ The dimension table is calculably based on PVC material.  
 The value of test pressure is calculably based on PVC PVDF materials.  
 The value of test pressure for PP material is 70% based on this table.