



# TRUE UNION BALL VALVE (Butt Welding type)



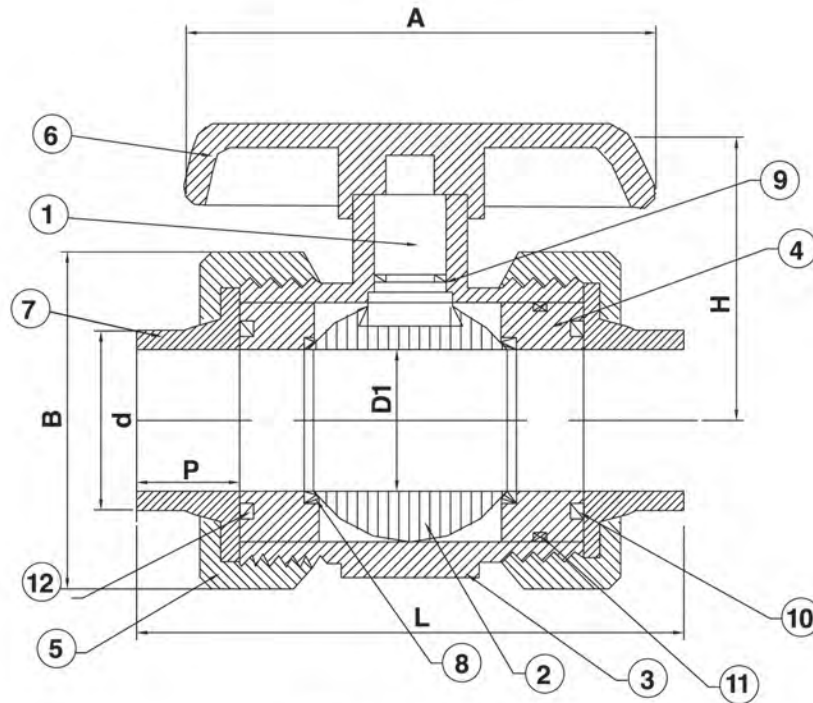
**CW Series**

**雙由任球閥 (面對面焊接型)**

**CW100**  
**Size:1/2"-4"**

**MATERIALS OF CONSTRUCTION**

Item	Parts	Pcs	Material
1	STEM	1	PP,PVDF
2	BALL	1	PP,PVDF
3	BODY	1	PP,PVDF
4	SEAT CARRIER	1	PP,PVDF
5	UNION NUT	2	PP,PVDF
6	HANDLE	1	ABS
7	CONNECTOR	2	PP,PVDF
8	SEAT	2	PTFE
9	STEM O-RING	1.....DN15-50 2.....DN65-100	EPDM,VITON
10	SEAT CARRIER O-RING	1	EPDM,VITON
11	BODY O-RING	1	EPDM,VITON
12	SOLID END O-RING	1	EPDM,VITON



DN15~DN100

● DIMENSIONS TABLE

Nom Size DN-inch	DIN							Unit:mm	
	D1	d	P	L	A	H	B	Working Pressure	Test Pressure
								kgf/cm <sup>2</sup>	
15(1/2")	14	20	16.0	163	82	51	47	6.7	10
20(3/4")	19	25	18.5	174	101	64	60	6.7	10
25(1")	25	32	22.0	178.5	111	70	68	6.7	10
32(1-1/4")	38	40	26.0	192	126	83	80	6.7	10
40(1-1/2")	38	50	31.0	198	126	83	92	6.7	10
50(2")	49	63	37.5	208	152	102	111	6.7	10
65(2-1/2")	67	75	43.5	212.5	190	140	148	4.7	7
80(3")	78	90	51.0	309	230	165	181	4.7	7
100(4")	101	110	61.0	358	274	172	222	4.7	7