

Y-SEDIMENT STRAINER 15mm - 100mm(1/2inch - 4inch)



Note : Volatile liquids such as a hydrogen peroxide (H₂O₂) and sodium hypochlorite (NaClO) medium, may vaporize, thus causing an abnormal pressure increase in the valve. (Important: Gas is compressible. Thus if its pressure rises abnormally, gas may break a valve into pieces, which in turn violently scatter in all directions.)

- Store the Sediment Strainer in an indoor place free of direct sunlight.
- Do not store the Sediment Strainer in a hot place.
- Install the Sediment Strainer in a place free of direct sunlight.

FEATURES

- Because of its plastic body, the sediment STRAINER (Y) is highly corrosion chemical and wear resistant.
- The body is transparent, so that flow through the STRAINER can easily be checked.
- The sediment STRAINER is easy to disassemble and reassemble to clean or replace its screen.

NSF Product

NSF(“NSF/ANSI STANDARD 61” Drinking Water System Components-Health Effects)Product.
:Y-SEDIMENT STRAINER TYPE-Y (Material:PVC+EPDM,FKM)

*Certified products bear an NSF Certification Mark.

SPECIFICATIONS

Body material	Unplasticized Polyvinyl Chloride (PVC) (The body is only made of transparent PVC.)
Nominal Size	15mm(1/2inch),20mm(3/4inch),25mm(1inch),40mm(1 1/4inch), 50mm(2inch),80mm(3inch),100mm(4inch)
End Connectors	Socket End, Threaded End, Flanged End
Working Temperature	0 - 50°C (30° F - 120° F)
Mesh	20 mesh (30,40 & 60 Mesh Available)
Max. Working Pressure	1.0MPa[10.2kgf/cm ²][150PSI]…15 - 50mm(1/2inch - 2inch) 0.6MPa[6.1kgf/cm ²][85PSI] …80,100mm(3inch - 4inch)

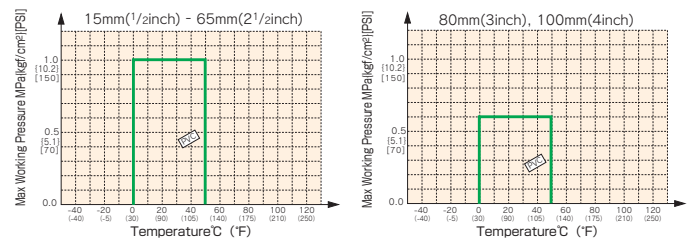
PARTS & MATERIALS

No.	DESCRIPTION	Pcs.	MATERIAL
①	BODY	1	PVC
②	FILTER SCREEN	1	PVC
③	SCREEN SUPPORT	1	PVC
④	END CONNECTOR	2	PVC
⑤	UNION NUT	3	PVC
⑥	RETAINING RING	1	PVC
⑦	SPLIT RING	1	PVC
⑧	O-RING(A)	2	EPDM,FKM,Others
⑨	O-RING(B)	1	EPDM,FKM,Others
⑩	STOP RING ¹⁾	2	PVDF

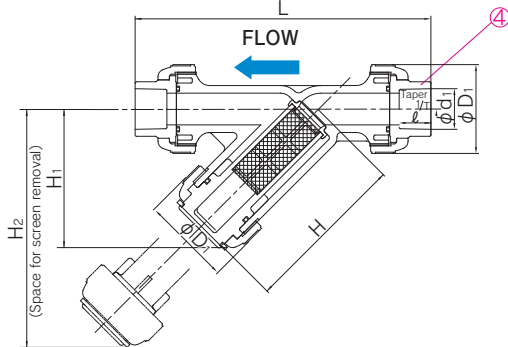
1)Used for Flanged End

WORKING PRESSURE VS. TEMPERATURE

STRAINER(Y)



DIMENSIONS (Socket End)



DIMENSIONS TABLE (Socket End)

Nominal Size		d	d ₁	ℓ	1/T	D ₁	L	H	H ₁	H ₂
15	1/2	15	22.11	20	1/34	48	172	97	78	134
20	3/4	20	26.13	24	1/34	60	210	120	98	168
25	1	25	32.16	27	1/34	70	238	133	111	189
32	1 1/4	40	38.19	30	1/34	100	298	177	149	256
40	1 1/2	40	48.21	37	1/37	100	313	177	149	256
50	2	51	60.25	42	1/37	106	346	190	160	277
65	2 1/2	78	76.60	61	1/48	140	487	271	234	399
80	3	78	89.60	64	1/49	152	487	271	234	399
100	4	100	114.70	84	1/56	210	653	361	316	537

Nominal Size		d	d ₁	ℓ	D ₁	L	H	H ₁	H ₂
15	1/2	15	21.4	17	48	165	97	78	134
20	3/4	20	26.8	20	60	201	120	98	168
25	1	25	33.6	23	70	224	133	111	189
32	1 1/4	40	42.3	27.5	96	298	177	149	256
40	1 1/2	40	48.3	30.5	96	288	177	149	256
50	2	51	60.4	36.5	106	337	190	160	277
65	2 1/2	78	75.1	43.5	152	455	271	234	399
80	3	78	88.8	50.5	152	455	271	234	399
100	4	100	114.2	63	210	607	361	316	537

DIN 8063

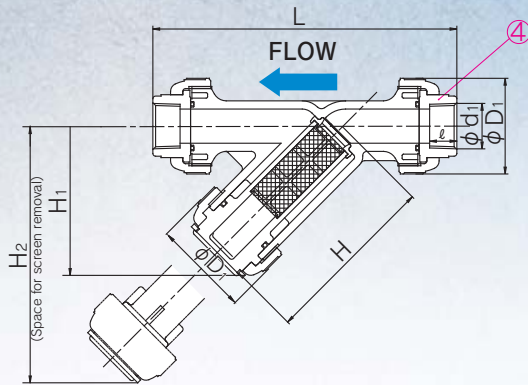
Nominal Size	d	d ₁	ℓ	D ₁	L	H	H ₁	
15	1/2	15	20	16	48	165	97	78
20	3/4	20	25	19	60	201	120	98
25	1	25	32	22	70	224	133	111
32	1 1/4	40	40	26	96	298	177	149
40	1 1/2	40	50	31	96	288	177	149
50	2	51	63	38	106	337	190	160
65	2 1/2	78	75	44	152	455	271	234
80	3	78	90	51	152	457	271	234
100	4	100	110	61	210	607	361	316

ANSI ASTM SCH80

Nominal Size	d	d ₁	d ₁ '	ℓ	D ₁	L	H	H ₁	H ₂	
1/2	15	0.59	0.848	0.836	0.875	1.89	6.93	3.82	3.07	5.28
3/4	20	0.79	1.058	1.046	1.000	2.36	8.31	4.72	3.86	6.61
1	25	0.98	1.325	1.310	1.125	2.76	9.37	5.24	4.37	7.44
1 1/4	32	1.57	1.670	1.655	1.250	3.94	11.73	6.97	5.87	10.08
1 1/2	40	1.57	1.912	1.894	1.375	3.94	12.13	6.97	5.87	10.08
2	50	2.01	2.387	2.369	1.500	4.17	13.31	7.48	6.30	10.91
2 1/2	65	3.07	2.889	2.868	1.752	5.98	17.95	10.67	9.21	15.71
3	80	3.07	3.516	3.492	1.875	5.98	17.83	10.67	9.21	15.71
4*	100	3.94	4.518	4.491	2.000	8.27	23.07	14.21	12.44	21.14

* only ASTM SCH40

DIMENSIONS (Threaded End)



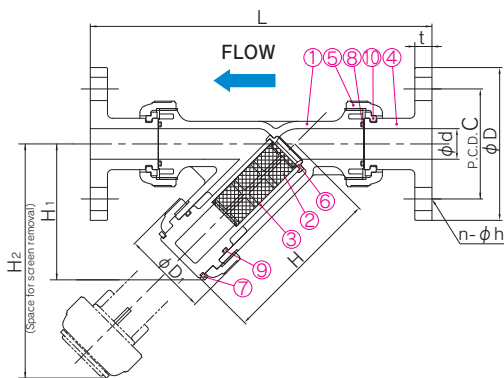
Nominal Size		d	d ₁	ℓ	D ₁	L	H	H ₁	H ₂
mm	inch								
15	1/2	15	Rp 1/2	15	48	165	97	78	134
20	3/4	20	Rp 3/4	17	60	202	120	98	168
25	1	25	Rp 1	20	70	224	133	111	189
32	1 1/4	40	Rp 1 1/4	22	96	287	177	149	256
40	1 1/2	40	Rp 1 1/2	25	96	287	177	149	256
50	2	51	Rp 2	28	106	324	190	160	277
65	2 1/2	78	Rp 2 1/2	32	152	436	271	234	399
80	3	78	Rp 3	35	152	436	271	234	399
100	4	100	Rp 4	45	210	596	361	316	537

DIMENSIONS TABLE (Threaded End)

Nominal Size		d	d ₂	ℓ	D ₁	L	H	H ₁	H ₂
mm	inch								
15	1/2	15	Rc 1/2	15	48	165	97	78	134
20	3/4	20	Rc 3/4	17	60	202	120	98	168
25	1	25	Rc 1	20	70	224	133	111	189
32	1 1/4	40	Rc 1 1/4	22	100	287	177	149	256
40	1 1/2	40	Rc 1 1/2	25	100	287	177	149	256
50	2	51	Rc 2	28	106	324	190	160	277
65	2 1/2	78	Rc 2 1/2	32	152	436	271	234	399
80	3	78	Rc 3	35	152	436	271	234	399
100	4	100	Rc 4	45	210	596	361	316	537

Nominal Size		d	d ₂	ℓ	D ₁	L	H	H ₁	H ₂
inch	mm								
1/2	15	0.59	1/2-14 NPT	0.59	1.89	6.50	3.82	3.07	5.28
3/4	20	0.79	3/4-14 NPT	0.67	2.36	7.95	4.72	3.86	6.61
1	25	0.98	1-11 1/2 NPT	0.79	2.76	8.82	5.24	4.37	7.44
1 1/4	32	1.57	1 1/4-11 1/2 NPT	0.87	3.94	11.30	6.97	5.87	10.08
1 1/2	40	1.57	1 1/2-11 1/2 NPT	0.98	3.94	11.30	6.97	5.87	10.08
2	50	2.01	2-11 1/2 NPT	1.10	4.17	12.76	7.48	6.30	10.91
2 1/2	65	3.07	2 1/2-8 NPT	1.26	5.98	17.17	10.67	9.21	15.71
3	80	3.07	3-8 NPT	1.38	5.98	17.17	10.67	9.21	15.71
4	100	3.94	4-8 NPT	1.77	8.27	23.46	14.21	12.44	21.14

DIMENSIONS (Flanged End)



Nominal Size		d	C	D	n	h	D ₁	L	H	H ₁	H ₂
mm	inch										
15	1/2	15	65	95	4	14	48	193	97	78	134
20	3/4	20	75	105	4	14	60	232	120	98	168
25	1	25	85	115	4	14	70	253	133	111	189
32	1 1/4	40	100	140	4	16	96	336	177	149	256
40	1 1/2	40	110	150	4	18	96	324	177	149	256
50	2	51	125	165	4	18	106	361	190	160	277
65	2 1/2	78	145	185	4	18	152	477	271	234	399
80	3	78	160	200	8	18	152	483	271	234	399
100	4	100	180	220	8	18	210	608	361	316	537

DIMENSIONS TABLE (Flanged End)

Nominal Size		d	C	D	n	h	D ₁	L	H	H ₁	H ₂
mm	inch										
15	1/2	15	70	95	4	15	48	206	97	78	134
20	3/4	20	75	100	4	15	60	254	120	98	168
25	1	25	90	125	4	19	70	280	133	111	189
32	1 1/4	40	100	135	4	19	100	336	177	149	256
40	1 1/2	40	105	140	4	19	100	336	177	149	256
50	2	51	120	155	4	19	106	361	190	160	277
65	2 1/2	78	140	175	4	19	152	477	271	234	399
80	3	78	150	185	8	19	152	477	271	234	399
100	4	100	175	210	8	19	210	608	361	316	537

Nominal Size		d	C	D	n	h	D ₁	L	t	H	H ₁	H ₂
inch	mm											
1/2	15	0.59	2.38	3.50	4	0.62	1.89	8.11	0.47	3.82	3.07	5.28
3/4	20	0.79	2.75	3.88	4	0.62	2.36	10.00	0.55	4.72	3.86	6.61
1	25	0.98	3.12	4.25	4	0.62	2.76	11.02	0.55	5.24	4.37	7.44
1 1/4	32	1.57	3.50	4.61	4	0.63	3.94	13.23	0.63	6.97	5.87	10.08
1 1/2	40	1.57	3.88	5.00	4	0.62	3.94	13.23	0.63	6.97	5.87	10.08
2	50	2.01	4.75	6.00	4	0.75	4.17	14.21	0.63	7.48	6.30	10.91
2 1/2	65	3.07	5.49	7.01	4	0.75	5.98	18.78	0.71	10.67	9.21	15.71
3	80	3.07	6.00	7.50	4	0.75	5.98	18.78	0.71	10.67	9.21	15.71
4	100	3.94	7.50	9.00	8	0.75	8.27	23.94	0.71	14.21	12.44	21.14

Recommendations for use

- Observe flow direction before installation. (Direction arrow mark is embossed on body.)
- Screen should be cleaned periodically.
- Avoid direct sunlight.
- Caution : the following, chemicals such as Hydrogen Peroxide (H₂O₂), Sodium Hypochlorite(NaClO) are capable of generating will cause the abnormal pressure due to their vaporization nature.