

True Union Ball Valve Type 375



Technical Features

- New and improved ergonomic handle
- Aesthetically improved body and nuts
- NSF 61 Certified
- Full port design
- Compact length
- 10,000 life cycle
- Blow-out proof stem
- Fully serviceable and adjustable seat carrier
- Double stem seals
- Floating ball design

Type 375 True Union Ball Valve

PVC/CPVC

Size range 3/8" - 6"
End Connections Socket
 Female NPT
 *3/8"- 2" include both socket and FNPT ends.

Seals EPDM, FPM
Seat PTFE

PVC Part Numbers

Size	Socket/Threaded ¹		Flanged	
	EPDM	FPM	EPDM	FPM
3/8"	161 375 001	161 375 016	N/A	
1/2"	161 375 002	161 375 017	161 375 062	161 375 077
3/4"	161 375 003	161 375 018	161 375 063	161 375 078
1"	161 375 004	161 375 019	161 375 064	161 375 079
1-1/4"	161 375 005	161 375 020	161 375 065	161 375 080
1-1/2"	161 375 006	161 375 021	161 375 066	161 375 081
2"	161 375 007	161 375 022	161 375 067	161 375 082
2-1/2" ¹	161 375 008	161 375 023	161 375 068	161 375 083
3" ¹	161 375 009	161 375 024	161 375 069	161 375 084
4" ¹	161 375 010	161 375 025	161 375 070	161 375 085
6" ¹	161 375 011	161 375 026	161 375 071	161 375 086

¹ Socket ends only supplied from 2 1/2" - 6."

CPVC Part Numbers

Size	Socket/Threaded ¹		Flanged	
	EPDM	FPM	EPDM	FPM
1/2"	163 375 002	163 375 017	163 375 062	163 375 077
3/4"	163 375 003	163 375 018	163 375 063	163 375 078
1"	163 375 004	163 375 019	163 375 064	163 375 079
1-1/4"	163 375 005	163 375 020	163 375 065	163 375 080
1-1/2"	163 375 006	163 375 021	163 375 066	163 375 081
2"	163 375 007	163 375 022	163 375 067	163 375 082
2-1/2" ¹	163 375 008	163 375 023	163 375 068	163 375 083
3" ¹	163 375 009	163 375 024	163 375 069	163 375 084
4" ¹	163 375 010	163 375 025	163 375 070	163 375 085
6" ¹	163 375 011	163 375 026	163 375 071	163 375 086

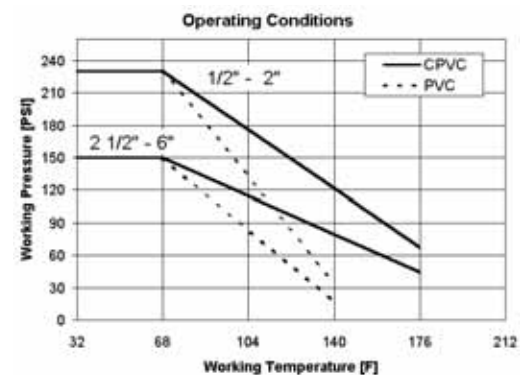
¹ Socket ends only are supplied from 2 1/2" - 6."

Specification:

All PVC or CPVC Ball Valves sizes 3/8" through 6" shall be of True Union design with two-way blocking capability. As a safety feature, the valves shall have a blow out proof stem with double stem seals. All O-rings shall be either EPDM or FPM and the valve seats shall be PTFE with an elastomeric backing of the same material as the valve seals. The valve shall be of floating ball design with full schedule 80 bore (except for 6" venturied). All ball valves shall have an adjustable seat carrier that

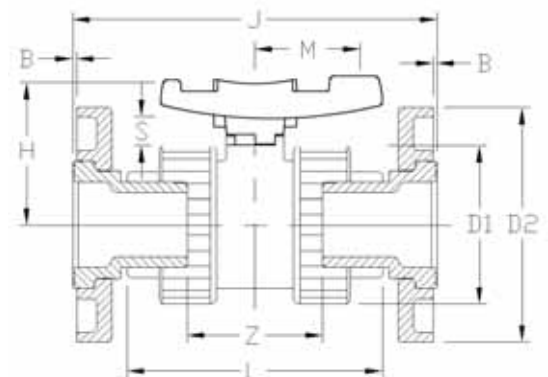
can be adjusted or removed using the valve handle as a spanner wrench. On sizes 3/8" - 2", all ball valves shall be supplied with both socket and threaded end connectors. All PVC ball valves shall be NSF 61 certified for potable water use. PVC shall conform to ASTM D1784, classification 12454-B. CPVC shall conform to ASTM D1784, classification 23447-B. The valve Type 375 shall have a pressure rating up to 225 psi at 68°F as supplied by George Fischer, Inc., Tustin, CA or George Fischer Sloane, Inc., Little Rock, AR.

Pressure/Temperature PVC and CPVC



Dimensions PVC and CPVC

Size inch	D1 in	D2 in	L in	Z in	J in	H in	M in	S in	B i n	Approx. Wt Lbs	
										PVC	CPVC
1/2	1.88	3.50	3.58	1.84	5.28	2.31	1.44	0.55	0.069	0.4	0.5
3/4	2.27	3.88	4.10	2.08	5.79	2.50	1.44	0.55	0.072	0.7	0.8
1	2.63	4.25	4.56	2.34	6.55	3.05	1.85	0.66	0.076	1.1	1.2
1 1/4	3.06	4.63	5.15	2.65	7.16	3.28	1.85	0.70	0.100	2.0	2.2
1 1/2	3.67	5.00	5.87	3.13	8.13	3.60	2.41	0.88	0.078	2.5	2.7
2	4.48	6.00	6.73	3.68	9.30	3.95	2.41	0.82	0.082	4.3	4.7
2 1/2	5.63	7.00	8.23	4.66	11.26	4.90	3.07	1.00	0.085	11.7	12.8
3	6.51	7.50	9.60	5.67	12.87	5.28	3.07	0.94	0.090	12.2	13.4
4	8.15	9.00	11.28	6.46	14.70	6.64	4.03	1.19	0.090	18.2	20.0
6	8.15	11.00	30.78	24.78	34.80	6.64	4.03	1.19	0.125	31.8	33.8



Type 375 True Union Ball Valve

Natural Polypropylene

Size range 20mm - 90mm with Metric Socket Ends.
1/2" - 3" with PPro-Seal/Female NPT ends.

Seals FPM
Seat PTFE

Natural PP Part Numbers

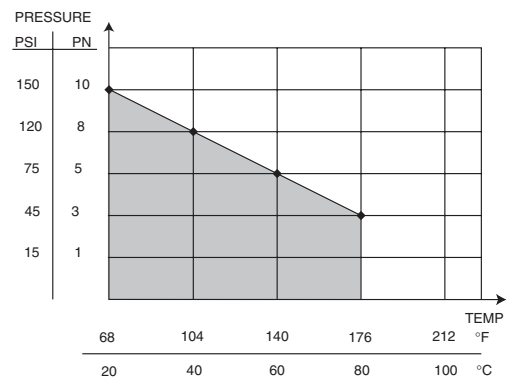
Size	Metric Socket	Size	Female NPT	PPro-Seal Electrofusion Socket and Female NPT
20	168 375 017	1/2"	168 375 027	1088375005F
25	168 375 018	3/4"	168 375 028	1088375007F
32	168 375 019	1"	168 375 029	1088375010F
40	168 375 020	1-1/4"	168 375 030	N/A
50	168 375 021	1-1/2"	168 375 031	1088375015F
63	168 375 022	2"	168 375 032	1088375020F
90	168 375 024	3"		1088375030F

Specification:

Ball valves shall be of True Union design with two-way blocking capability. Valves shall have a blow out proof stem with double stem seals. All O-rings shall be FPM and the valve seats shall be PTFE with an elastomeric backing of the same material as the valve seats. The valve shall be of floating ball design with full Schedule 80 bore. All ball valves shall have an adjustable seat carrier that can be adjusted or removed using the valve handle as a spanner wrench. The material will be natural virgin

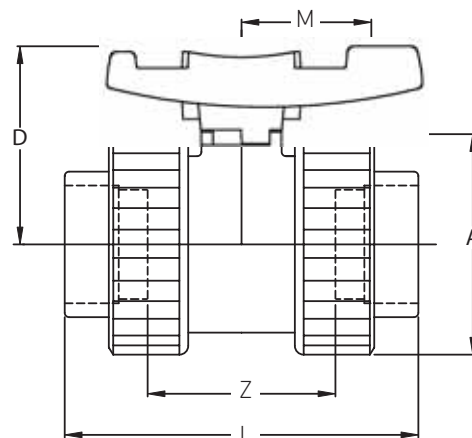
copolymer polypropylene with no added plasticizers, pigments or re-grind that meets the requirements of ASTM D4101 and is compliant with FDA 21.CFR 177.1520 Sections A1, B & C. The valve Type 375 shall have a pressure rating up to 150 psi at 68°F. All valves shall be packaged in containers at the point of manufacturing to preserve cleanliness, as supplied by George Fischer, Inc., Tustin, CA or George Fischer Sloane, Inc., Little Rock, AR.

Pressure/Temperature Natural PP



Dimensions Natural PP

Size mm	Size inch	D1	M	L Metric Socket	L Female NPT	L PPro-Seal	Z Metric Socket	Z FNPT/ PPro-Seal
20	1/2	1.88	1.44	3.01	3.58	3.86	1.77	1.84
25	3/4	2.27	1.44	3.50	4.10	4.37	2.03	2.08
32	1	2.63	1.85	4.01	4.56	4.86	2.34	2.34
40	1 1/4	3.06	1.85	4.68	5.15	N/A	2.70	2.65
50	1 1/2	3.67	2.41	5.50	5.87	5.87	3.10	3.13
63	2	4.48	2.41	6.59	6.73	6.73	3.65	3.68
90	3	6.51	3.07	9.60	N/A	9.60	5.67	5.67



Type 375 Ball Valve

PVC, CPVC, and Natural Polypropylene

CV and Torque Values

Size mm	Size inch	CV	Torque ft-lb
20	½	15	0.37
25	¾	21	1.11
32	1	55	1.84
40	1¼	81	4.06
50	1½	126	5.16
63	2	245	7.38
	2½	364	14.75
90	3	490	19.18
	4	700	20.65
	6	700	20.65

Type 375 Spare Parts

Size	PTFE/EPDM Seal set	PTFE/FPM Seal set	PVC Socket Ends	PVC Threaded Ends	Handle
3/8"	161 375 402	161 375 417	161 375 427	161 375 437	161 490 900
1/2"	161 375 403	161 375 418	161 375 428	161 375 438	161 490 900
3/4"	161 375 404	161 375 419	161 375 429	161 375 439	161 490 901
1'	161 375 405	161 375 420	161 375 430	161 375 440	161 490 902
1-1/4"	161 375 406	161 375 421	161 375 431	161 375 441	161 490 903
1-1/2'	161 375 407	161 375 422	161 375 432	161 375 442	161 490 904
2'	161 375 408	161 375 423	161 375 433	161 375 443	161 490 905
2-1/2"	161 375 409	161 375 424	161 375 434		161 490 906
3"	161 375 410	161 375 425	161 375 435		161 490 907
4"	161 375 411	161 375 426	161 375 436		161 490 908
6"	161 375 411	161 375 426			161 490 908

George Fischer, Inc.

2882 Dow Avenue, Tustin, CA 92780-7258
 Tel. (714) 731-8800, Toll Free (800) 854-4090
 Fax (714) 731-6201
 e-mail: us.ps@georgfischer.com
www.us.piping.georgfischer.com

George Fischer Sloane Inc.

777 Sloane Drive, Little Rock, AR 72206
 Tel. (501) 490-7777, Toll Free (800) 423-2686
 Fax (501) 490-7100
 e-mail: info@sloane.georgfischer.com
www.us.piping.georgfischer.com

Australia

George Fischer Pty Ltd
 Kingsgrove NSW 2008
 Phone +61(0)2/95 54 39 77
sales@georgfischer.com.au
www.georgfischer.com.au

Austria

Georg Fischer Rohrleitungssysteme GmbH
 3130 Herzogenburg
 Phone +43(0)2/782/856 43-0
office@georgfischer.at
www.georgfischer.at

Belgium/Luxembourg

Georg Fischer NV/SA
 1070 Bruxelles/Brüssel
 Phone +32(0)2/556 40 20
info.be@be.piping.georgfischer.com
www.georgfischer.be

Brazil

George Fischer Ltda
 04795-100 São Paulo
 Phone +55(0)11/5687 1311
infolatam@us.piping.georgfischer.com

China

George Fischer Piping Systems Ltd Shanghai
 Pudong, Shanghai 201319
 Phone +86(0)21/58 13 33 33
info@cn.piping.georgfischer.com
www.cn.piping.georgfischer.com

Denmark/Iceland

Georg Fischer A/S
 2630 Taastrup
 Phone +45 (0)70 22 19 75
info@dk.piping.georgfischer.com
www.georgfischer.dk

France

George Fischer S.A.S.
 93208 Saint-Denis Cedex 1
 Phone +33(0)1/492 21 34 1
info@georgfischer.fr
www.georgfischer.fr

Germany

Georg Fischer GmbH
 73095 Albershausen
 Phone +49(0)7161/302-0
info@georgfischer.de
www.rls.georgfischer.de

Georg Fischer DEKA GmbH

35232 Dautphetal-Mornshausen
 Phone +49(0)6468/915-0
info@dekapipe.de
www.dekapipe.de

Greece

George Fischer S.p.A.
 10434 Athens
 Phone +30(0)1/882 04 91
office@piping-georgfischer.gr

India

George Fischer Piping Systems Ltd
 400 093 Mumbai
 Phone +91(0)22/820 2362
branchoffice@georgfischer.net

Italy

Georg Fischer S.p.A.
 20063 Cernusco S/N (MI)
 Phone +3902/921 861
office@piping.georgfischer.it
www.georgfischer.it

Japan

Georg Fischer Ltd
 556-0011 Osaka
 Phone +81(0)6/6635 2691
info@georgfischer.jp
www.georgfischer.jp

Malaysia

Georg Fischer (M) Sdn. Bhd.
 47500 Subang Jaya
 Phone +60 (0)3-8024 7879
conne.kong@georgfischer.com.my

Netherlands

Georg Fischer N.V.
 8161 PA Epe
 Phone +31(0)578/678 222
info.vgnl@nl.piping.georgfischer.com
www.georgfischer.nl

Norway

Georg Fischer AS
 1351 Rud
 Phone +47(0)67 18 29 00
info@no.piping.georgfischer.com
www.georgfischer.no

Poland

Georg Fischer Sp. z o.o.
 02-226 Warszawa
 Phone +48(0)22/313 10 50
www.georgfischer.pl

Romania

Georg Fischer
 Rohrleitungssysteme AG
 70000 Bucharest - Sector 1
 Phone +40(0)1/222 91 36
office@georgfischer.ro

Singapore

George Fischer Pte Ltd
 417 845 Singapore
 Phone +65(0)67 47 06 11
info@georgfischer.com.sg
www.georgfischer.com.sg

Spain/Portugal

Georg Fischer S.A.
 28009 Madrid
 Phone +34(0)91/781 98 90
info@georgfischer.es
www.georgfischer.es

Sweden/Finland

Georg Fischer AB
 12523 Älvsjö-Stockholm
 Phone +46(0)8/506 77 500
info@georgfischer.se
www.georgfischer.se

Switzerland

Georg Fischer Rohrleitungssysteme (Schweiz) AG
 8201 Schaffhausen
 Phone +41(0)52 631 30 26
info@rohrleitungssysteme.georgfischer.ch
www.piping.georgfischer.ch

United Kingdom/Ireland

George Fischer Sales Limited
 Coventry, CV2 2ST
 Phone +44(0)2476 535 535
info@georgfischer.co.uk
www.georgfischer.co.uk