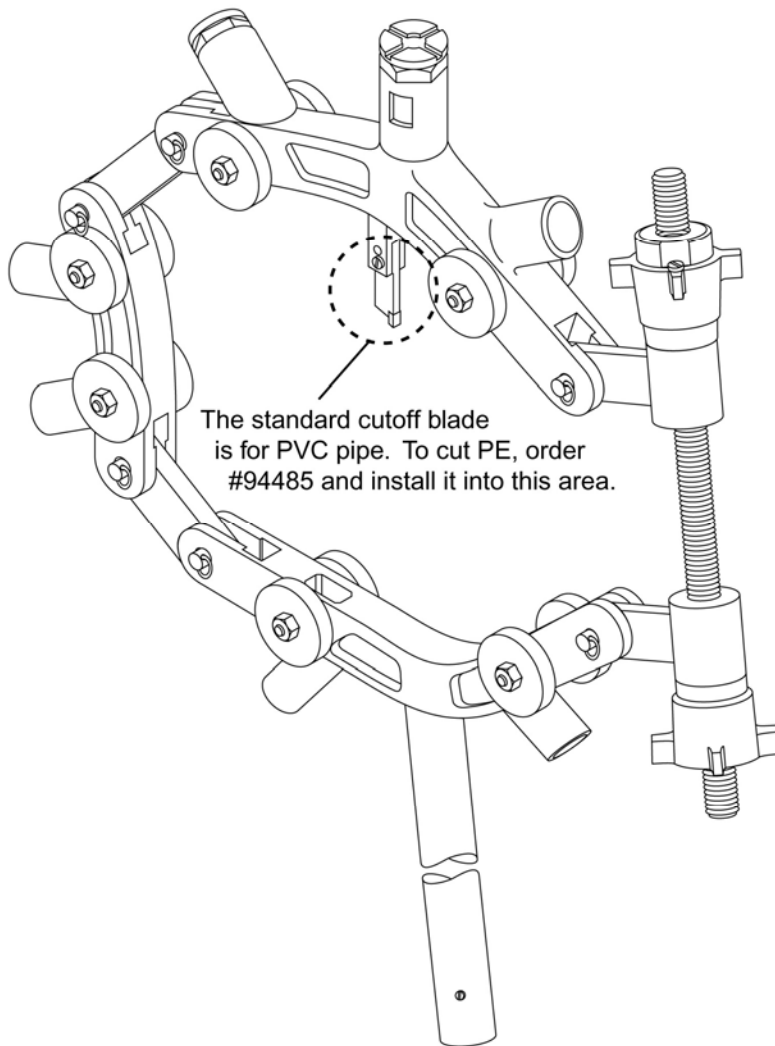


PLAS Blade for PE  
Installation

March 2011



The standard cutoff blade  
is for PVC pipe. To cut PE,  
order #94485 and install it  
into this area.