

BALL CHECK VALVE (VERTICAL TYPE)



JB Series

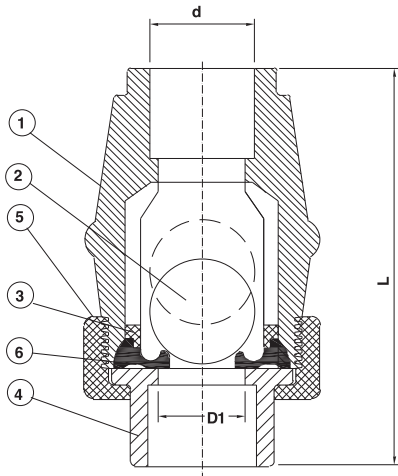
球型逆止凡而 (直式)

**SOCKET JB100 / THREAD JB200 / FLANGED JB300
SIZE: 1/2"-10"**

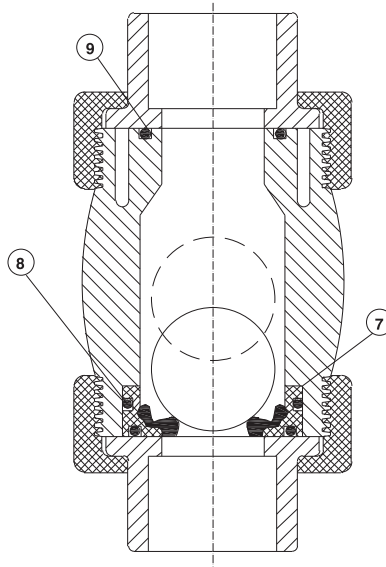
MATERIALS OF CONSTRUCTION

內部零件材料表

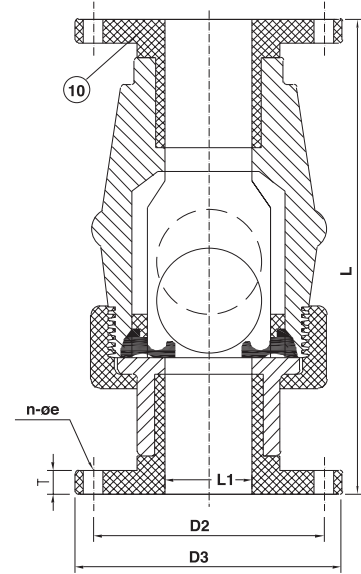
No.	Parts	Pcs.	Materials
1	Body 主體	1	UPVC, PP, CPVC, PVDF
2	Ball 球仔	1	UPVC, CPVC, PVDF, PPG
3	Washer 華司	1	UPVC, PP, CPVC, PVDF
4	End Connector 接頭	1...DN15-50 2...DN65-100	UPVC, PP, CPVC, PVDF
5	Union Nut 由任大殼	1...DN15-50 2...DN65-100	UPVC, PP, CPVC, PVDF
6	Seat 墊片	1	EPDM, VITON
7	Seat Carrier 內塞	1	UPVC, PP, CPVC, PVDF
8	Seat Carrier O'ring 內塞O-環	1	EPDM, VITON
9	Solid End O'ring 接頭O-環	1	EPDM, VITON
10	Flanged End 法蘭接頭	2...DN15-100 1...DN150-250	UPVC, PP, CPVC, PVDF
11	Reinforcement Plate 保固板	4...DN150 8...DN250	SUS304(150A-250A)
12	Bolts on Reinforcement Plate 保固板螺絲	10...DN150 20...DN250	SUS304



15A(1/2")~50A(2")



65A(2-1/2")~100A(4")



FLANGED
15A(1/2")~250A(10")

● DIMENSIONS TABLE

尺寸表

	JIS										ANSI										DIN												
	Unit:mm										Unit:inch										Unit:mm												
	D1	d		D2	D3	n	øe	L			T	D1	d		D2	D3	n	øe	L			T	D1	d		D2	D3	n	øe	L			T
Screw		Socket	Screw					Socket	Flange	Screw			Socket	Flange					Screw	Socket	Screw			Socket	Flange					Screw	Socket	Screw	
15-1/2	15	PT	22	70	95	4	15	98	98	135	15	0.59	NPT	0.84	2.375	3.500	4	0.63	3.85	3.85	5.43	0.59	15	R1/2	20	65	95	4	14	98	98	135	15
20-3/4	20	PT	26	75	100	4	15	119	119	159	16	0.79	NPT	1.05	2.750	3.785	4	0.63	4.68	4.68	6.25	0.59	20	R3/4	25	75	105	4	14	119	119	159	15
25-1	26	PT	32	90	125	4	19	124	124	167	17	0.98	NPT	1.32	3.125	4.250	4	0.63	4.88	4.88	6.57	0.66	26	R1	32	85	115	4	14	124	124	167	17
32-1 1/4	36	PT	38	100	135	4	19	155	155	198	16	1.42	NPT	1.67	3.500	4.625	4	0.63	6.10	6.10	7.79	0.67	36	R1-1/4	40	100	140	4	18	155	155	198	17
40-1 1/2	36	PT	48	105	145	4	19	155	155	202	18	1.57	NPT	1.91	3.875	5.000	4	0.63	6.10	6.10	7.89	0.7	36	R1-1/2	50	110	150	4	18	155	155	202	17
50-2	50	PT	60	120	155	4	19	180	180	234	21	1.96	NPT	2.38	4.750	6.000	4	0.75	7.09	7.09	9.09	0.78	40	R2	63	125	165	4	18	180	180	234	20
65-2 1/2	65	PT	76	140	175	4	19	226	226	276	20	2.36	NPT	2.88	5.500	7.000	4	0.75	8.89	8.89	10.87	0.8	65	R2-1/2	75	145	185	4	18	226	226	276	20
80-3	80	PT	89	150	185	8	19	274	274	330	20.5	3.15	NPT	3.51	6.000	7.500	4	0.75	10.79	10.79	12.99	0.9	80	R3	90	160	200	8	18	274	274	330	20
100-4	100	PT	114	175	210	8	19	367	367	417	20	3.74	NPT	4.51	7.500	9.000	8	0.75	14.45	14.45	16.41	0.92	100	R4	110	180	220	8	18	367	367	417	20
150-6	150	-	-	240	280	8	23	-	-	480	23	-	-	-	9.500	11.000	8	0.88	-	-	18.90	0.87	150	-	-	240	285	8	23	-	-	480	23
250-10	250	-	-	355	400	12	25	-	-	670	25	-	-	-	14.250	16.000	12	1.00	-	-	26.38	0.94	250	-	-	350	395	12	25	-	-	670	25