

# BALL CHECK VALVE (VERTICAL TYPE)



**JB Series**

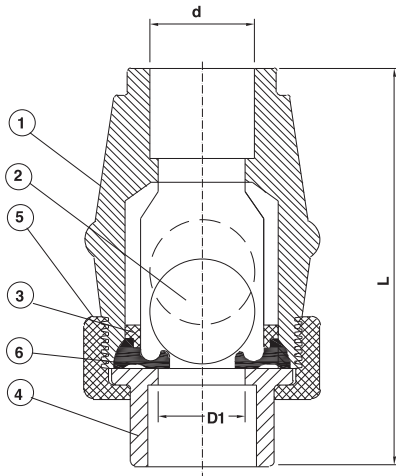
**球型逆止凡而 (直式)**

**SOCKET JB100 / THREAD JB200 / FLANGED JB300  
SIZE: 1/2"-10"**

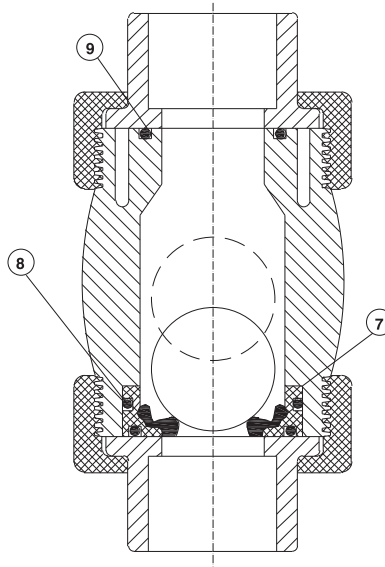
**MATERIALS OF CONSTRUCTION**

內部零件材料表

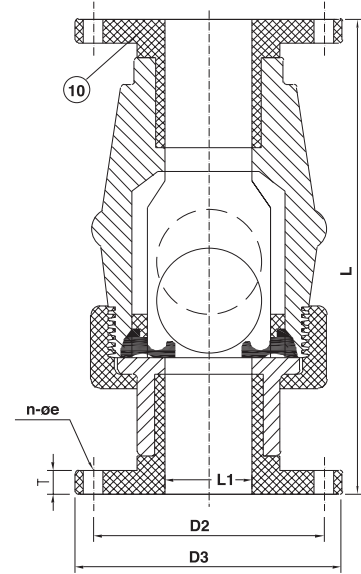
| No. | Parts                                 | Pcs.                          | Materials             |
|-----|---------------------------------------|-------------------------------|-----------------------|
| 1   | Body<br>主體                            | 1                             | UPVC, PP, CPVC, PVDF  |
| 2   | Ball<br>球仔                            | 1                             | UPVC, CPVC, PVDF, PPG |
| 3   | Washer<br>華司                          | 1                             | UPVC, PP, CPVC, PVDF  |
| 4   | End Connector<br>接頭                   | 1...DN15-50<br>2...DN65-100   | UPVC, PP, CPVC, PVDF  |
| 5   | Union Nut<br>由任大殼                     | 1...DN15-50<br>2...DN65-100   | UPVC, PP, CPVC, PVDF  |
| 6   | Seat<br>墊片                            | 1                             | EPDM, VITON           |
| 7   | Seat Carrier<br>內塞                    | 1                             | UPVC, PP, CPVC, PVDF  |
| 8   | Seat Carrier O'ring<br>內塞O-環          | 1                             | EPDM, VITON           |
| 9   | Solid End O'ring<br>接頭O-環             | 1                             | EPDM, VITON           |
| 10  | Flanged End<br>法蘭接頭                   | 2...DN15-100<br>1...DN150-250 | UPVC, PP, CPVC, PVDF  |
| 11  | Reinforcement Plate<br>保固板            | 4...DN150<br>8...DN250        | SUS304(150A-250A)     |
| 12  | Bolts on Reinforcement Plate<br>保固板螺絲 | 10...DN150<br>20...DN250      | SUS304                |



15A(1/2")~50A(2")



65A(2-1/2")~100A(4")



FLANGED  
15A(1/2")~250A(10")

● DIMENSIONS TABLE

尺寸表

|         | JIS     |        |       |     |     |    |    |        |        |       | ANSI      |      |        |        |        |        |    |      |       |        | DIN     |      |     |        |        |     |     |    |    |       |        |       |    |
|---------|---------|--------|-------|-----|-----|----|----|--------|--------|-------|-----------|------|--------|--------|--------|--------|----|------|-------|--------|---------|------|-----|--------|--------|-----|-----|----|----|-------|--------|-------|----|
|         | Unit:mm |        |       |     |     |    |    |        |        |       | Unit:inch |      |        |        |        |        |    |      |       |        | Unit:mm |      |     |        |        |     |     |    |    |       |        |       |    |
|         | D1      | d      |       | D2  | D3  | n  | øe | L      |        |       | T         | D1   | d      |        | D2     | D3     | n  | øe   | L     |        |         | T    | D1  | d      |        | D2  | D3  | n  | øe | L     |        |       | T  |
| Screw   |         | Socket | Screw |     |     |    |    | Socket | Flange | Screw |           |      | Socket | Flange |        |        |    |      | Screw | Socket | Screw   |      |     | Socket | Flange |     |     |    |    | Screw | Socket | Screw |    |
| 15-1/2  | 15      | PT     | 22    | 70  | 95  | 4  | 15 | 98     | 98     | 135   | 15        | 0.59 | NPT    | 0.84   | 2.375  | 3.500  | 4  | 0.63 | 3.85  | 3.85   | 5.43    | 0.59 | 15  | R1/2   | 20     | 65  | 95  | 4  | 14 | 98    | 98     | 135   | 15 |
| 20-3/4  | 20      | PT     | 26    | 75  | 100 | 4  | 15 | 119    | 119    | 159   | 16        | 0.79 | NPT    | 1.05   | 2.750  | 3.785  | 4  | 0.63 | 4.68  | 4.68   | 6.25    | 0.59 | 20  | R3/4   | 25     | 75  | 105 | 4  | 14 | 119   | 119    | 159   | 15 |
| 25-1    | 26      | PT     | 32    | 90  | 125 | 4  | 19 | 124    | 124    | 167   | 17        | 0.98 | NPT    | 1.32   | 3.125  | 4.250  | 4  | 0.63 | 4.88  | 4.88   | 6.57    | 0.66 | 26  | R1     | 32     | 85  | 115 | 4  | 14 | 124   | 124    | 167   | 17 |
| 32-11/4 | 36      | PT     | 38    | 100 | 135 | 4  | 19 | 155    | 155    | 198   | 16        | 1.42 | NPT    | 1.67   | 3.500  | 4.625  | 4  | 0.63 | 6.10  | 6.10   | 7.79    | 0.67 | 36  | R1-1/4 | 40     | 100 | 140 | 4  | 18 | 155   | 155    | 198   | 17 |
| 40-11/2 | 36      | PT     | 48    | 105 | 145 | 4  | 19 | 155    | 155    | 202   | 18        | 1.57 | NPT    | 1.91   | 3.875  | 5.000  | 4  | 0.63 | 6.10  | 6.10   | 7.89    | 0.7  | 36  | R1-1/2 | 50     | 110 | 150 | 4  | 18 | 155   | 155    | 202   | 17 |
| 50-2    | 50      | PT     | 60    | 120 | 155 | 4  | 19 | 180    | 180    | 234   | 21        | 1.96 | NPT    | 2.38   | 4.750  | 6.000  | 4  | 0.75 | 7.09  | 7.09   | 9.09    | 0.78 | 40  | R2     | 63     | 125 | 165 | 4  | 18 | 180   | 180    | 234   | 20 |
| 65-21/2 | 65      | PT     | 76    | 140 | 175 | 4  | 19 | 226    | 226    | 276   | 20        | 2.36 | NPT    | 2.88   | 5.500  | 7.000  | 4  | 0.75 | 8.89  | 8.89   | 10.87   | 0.8  | 65  | R2-1/2 | 75     | 145 | 185 | 4  | 18 | 226   | 226    | 276   | 20 |
| 80-3    | 80      | PT     | 89    | 150 | 185 | 8  | 19 | 274    | 274    | 330   | 20.5      | 3.15 | NPT    | 3.51   | 6.000  | 7.500  | 4  | 0.75 | 10.79 | 10.79  | 12.99   | 0.9  | 80  | R3     | 90     | 160 | 200 | 8  | 18 | 274   | 274    | 330   | 20 |
| 100-4   | 100     | PT     | 114   | 175 | 210 | 8  | 19 | 367    | 367    | 417   | 20        | 3.74 | NPT    | 4.51   | 7.500  | 9.000  | 8  | 0.75 | 14.45 | 14.45  | 16.41   | 0.92 | 100 | R4     | 110    | 180 | 220 | 8  | 18 | 367   | 367    | 417   | 20 |
| 150-6   | 150     | -      | -     | 240 | 280 | 8  | 23 | -      | -      | 480   | 23        | -    | -      | -      | 9.500  | 11.000 | 8  | 0.88 | -     | -      | 18.90   | 0.87 | 150 | -      | -      | 240 | 285 | 8  | 23 | -     | -      | 480   | 23 |
| 250-10  | 250     | -      | -     | 355 | 400 | 12 | 25 | -      | -      | 670   | 25        | -    | -      | -      | 14.250 | 16.000 | 12 | 1.00 | -     | -      | 26.38   | 0.94 | 250 | -      | -      | 350 | 395 | 12 | 25 | -     | -      | 670   | 25 |