



# BALL FOOT VALVE (VERTICAL TYPE)



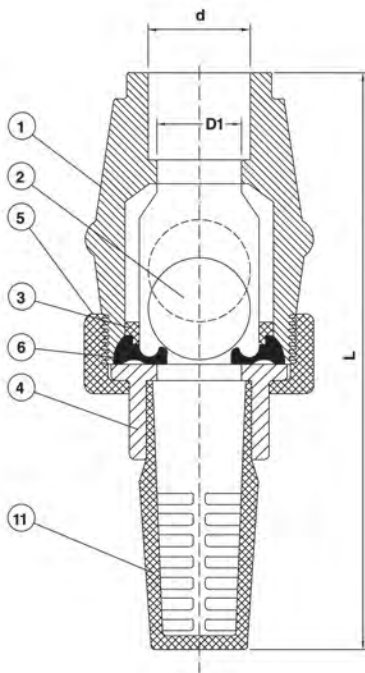
**JF Series**

**福特球型凡而 (直式)**

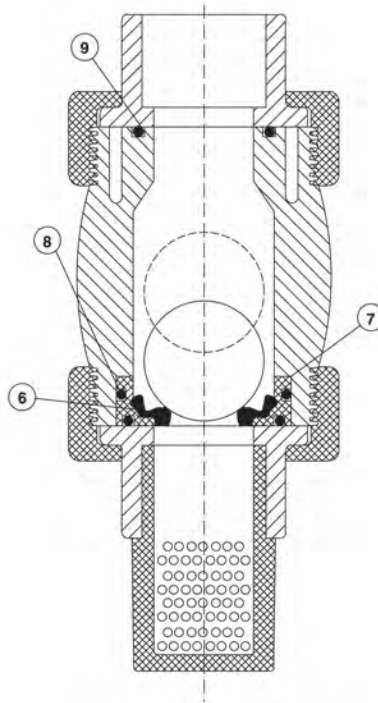
**SOCKET JF100/THREAD JF200/FLANGED JF300  
SIZE:1/2"-10"**

● **MATERIALS OF CONSTRUCTION**

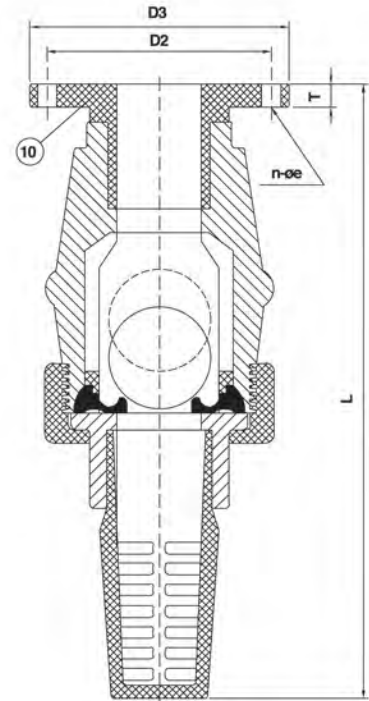
| No. | Parts               | Pcs. | Materials             |
|-----|---------------------|------|-----------------------|
| 1   | Body                | 1    | UPVC,PP,PPG,CPVC,PVDF |
| 2   | Ball                | 1    | UPVC,PPG,CPVC,PVDF    |
| 3   | Washer              | 1    | UPVC,PP,CPVC,PVDF     |
| 4   | Connector           | 1/2  | UPVC,PP,CPVC,PVDF     |
| 5   | Union Nut           | 1/2  | UPVC,PP,CPVC,PVDF     |
| 6   | Seat                | 1    | EPDM,VITON            |
| 7   | Seat Carrier        | 1    | UPVC,PP,CPVC,PVDF     |
| 8   | Seat Carrier O'ring | 1    | EPDM,VITON            |
| 9   | Solid End O'ring    | 1    | EPDM,VITON            |
| 10  | Flanged End         | 1    | UPVC,PP,PPG,CPVC,PVDF |
| 11  | Screen              | 1    | UPVC,PP,CPVC,PVDF     |



15A(1/2")~50A(2")



65A(2-1/2")~100A(4")



FLANGED TYPE  
15A(1/2")~250A(10")

## DIMENSIONS TABLE

| Standards<br>Nom. size<br>DN-inch | JIS     |              |     |     |     |    |       |        |       |        |        | ANSI      |     |        |        |        |    |      |       |        |       |        | DIN     |        |       |        |     |    |    |     |       |        |        |       |        |   |
|-----------------------------------|---------|--------------|-----|-----|-----|----|-------|--------|-------|--------|--------|-----------|-----|--------|--------|--------|----|------|-------|--------|-------|--------|---------|--------|-------|--------|-----|----|----|-----|-------|--------|--------|-------|--------|---|
|                                   | Unit:mm |              |     |     |     |    |       |        |       |        |        | Unit:inch |     |        |        |        |    |      |       |        |       |        | Unit:mm |        |       |        |     |    |    |     |       |        |        |       |        |   |
|                                   | d       |              | D2  | D3  | n   | øe | L     |        |       |        |        | T         | d   |        | D2     | D3     | n  | øe   | L     |        |       |        |         | T      | d     |        | D2  | D3 | n  | øe  | L     |        |        |       |        | T |
|                                   | D1      | Screw Socket |     |     |     |    | Screw | Socket | Screw | Socket | Flange |           | D1  | Socket |        |        |    |      | Screw | Socket | Screw | Socket | Flange  |        | Screw | Socket |     |    |    |     | Screw | Socket | Flange | Screw | Socket |   |
| 15-1/2                            | 15      | PT           | 22  | 70  | 95  | 4  | 15    | 138    | 138   | 153    | 16     | 0.59      | NPT | 0.84   | 2.375  | 3.500  | 4  | 0.63 | 5.43  | 5.43   | 6.02  | 0.62   | 15      | R1/2   | 20    | 65     | 95  | 4  | 14 | 138 | 138   | 153    | 16     |       |        |   |
| 20-3/4                            | 20      | PT           | 26  | 75  | 100 | 4  | 15    | 164    | 164   | 183    | 16     | 0.79      | NPT | 1.05   | 2.750  | 3.875  | 4  | 0.63 | 6.45  | 6.45   | 7.20  | 0.62   | 20      | R3/4   | 25    | 75     | 105 | 4  | 14 | 164 | 164   | 183    | 16     |       |        |   |
| 25-1                              | 26      | PT           | 32  | 90  | 125 | 4  | 19    | 180    | 180   | 202    | 16     | 1.02      | NPT | 1.32   | 3.125  | 4.250  | 4  | 0.63 | 7.08  | 7.08   | 7.95  | 0.62   | 26      | R1     | 32    | 85     | 115 | 4  | 14 | 180 | 180   | 202    | 16     |       |        |   |
| 32-1 1/4                          | 36      | PT           | 38  | 100 | 135 | 4  | 19    | 226    | 226   | 253    | 18     | 1.42      | NPT | 1.67   | 3.500  | 4.625  | 4  | 0.63 | 8.89  | 8.89   | 9.96  | 0.70   | 36      | R1-1/4 | 40    | 100    | 140 | 4  | 18 | 226 | 226   | 253    | 18     |       |        |   |
| 40-1 1/2                          | 36      | PT           | 48  | 105 | 145 | 4  | 19    | 226    | 226   | 253    | 18     | 1.42      | NPT | 1.91   | 3.875  | 5.000  | 4  | 0.63 | 8.89  | 8.89   | 9.96  | 0.70   | 36      | R1-1/2 | 50    | 110    | 150 | 4  | 18 | 226 | 226   | 253    | 18     |       |        |   |
| 50-2                              | 40      | PT           | 60  | 120 | 155 | 4  | 19    | 254    | 254   | 283    | 21     | 1.58      | NPT | 2.38   | 4.750  | 6.000  | 4  | 0.75 | 10.0  | 10.0   | 11.14 | 0.82   | 40      | R2     | 63    | 125    | 165 | 4  | 18 | 254 | 254   | 283    | 21     |       |        |   |
| 65-2 1/2                          | 65      | PT           | 76  | 140 | 175 | 4  | 19    | 305    | 305   | 335    | 20     | 2.56      | NPT | 2.88   | 5.500  | 7.000  | 4  | 0.75 | 12.0  | 12.0   | 13.18 | 0.78   | 65      | R2-1/2 | 75    | 145    | 185 | 4  | 18 | 305 | 305   | 335    | 20     |       |        |   |
| 80-3                              | 80      | PT           | 89  | 150 | 185 | 8  | 19    | 373    | 373   | 400    | 23     | 3.15      | NPT | 3.51   | 6.000  | 7.500  | 4  | 0.75 | 14.68 | 14.68  | 15.74 | 0.90   | 80      | R3     | 90    | 160    | 200 | 8  | 18 | 373 | 373   | 400    | 23     |       |        |   |
| 100-4                             | 100     | PT           | 114 | 175 | 210 | 8  | 19    | 495    | 495   | 520    | 23     | 3.94      | NPT | 4.51   | 7.500  | 9.000  | 8  | 0.75 | 19.48 | 19.48  | 20.47 | 0.90   | 100     | R4     | 100   | 180    | 220 | 8  | 18 | 495 | 495   | 520    | 23     |       |        |   |
| 150-6                             | 150     | -            | -   | 240 | 280 | 8  | 23    | -      | -     | 790    | 23     | -         | -   | -      | 9.500  | 11.000 | 8  | 0.88 | -     | -      | 31.10 | 0.90   | 150     | -      | -     | 240    | 285 | 8  | 23 | -   | -     | 790    | 23     |       |        |   |
| 250-10                            | 250     | -            | -   | 355 | 400 | 12 | 25    | -      | -     | 1190   | 25     | -         | -   | -      | 14.250 | 16.000 | 12 | 1.00 | -     | -      | 46.85 | 0.98   | 250     | -      | -     | 350    | 395 | 12 | 25 | -   | -     | 1190   | 25     |       |        |   |

※ Standard dimensions based on PVC material