



Ø1200 超大型旋轉凡而

尺寸：φ1000mm 〈可生產700mm~1200mm〉

運轉方式：齒輪式 〈齒輪式、鏈條式、油壓、氣壓〉

葉板材質：聚丙烯 〈PP〉 〈可生產UPVC、CPVC、PP、P'VDF〉

特性：全口徑流量足，耐酸、耐鹼、佔用空間小，操作簡易。

適用地點：化工業、石化業、電子業、各項工程。

世界唯一一體成型超大型旋轉凡而



世界最大射出成型品

Size: Ø700(28")~Ø1200(48")
UPVC, PP, CPVC, PPG, PVDF



THE HI-TECH'S, HI-QUALITLY'S PROUDCTS RANG



UPVC / CPVC
PIPE FITTING VALVE

SUPER LARGE SIZED BUTTERFLY VALVE

超大型旋轉凡而



BS300

Size: Ø700(28")~Ø1200(48")

MATERIAL: UPVC, PP, CPVC, PPG, PVDF

MODEL: Gear operated type(齒輪式) · Chaining type(鏈條式)

Hydraulic type(油壓式) · Pneumatin type(氣壓式)

FEATURES:

- Fullport allowing max. fluid flow.全口徑、流量足
- ECONOMIC EQUIPMENT: Fluid control plate conealed in piping system, space saved,設備經濟、控制流量的活版、隱藏於管路中、佔管路配置極小的空間。
- EASY OPERATION-90° open and close, long duration,操作簡便、90° 開關使用壽命長。
- WIDE APPLICATION RANGE-Acid & alk all resistance, anti-corrosion, and suitable for fluid and air use.用途極廣、可耐強酸、強鹼並適用於液體及氣體。

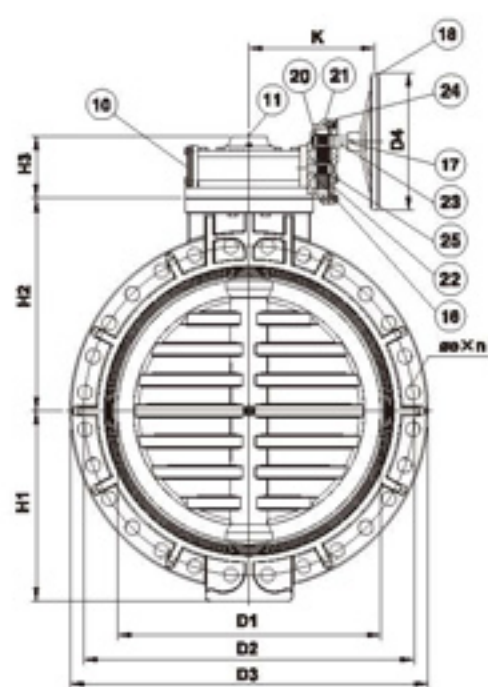
MATERIALS OF CONSTRUCTION

1	Body	1	PPG	14	Bearing	1	STEEL
2	Seat	1	EPDM.VITON.NBR.HYPALON	15	Adjustable Bolt	2	STEEL
3	Disc	1	UPVC.PP.CPVC.PPG.PVDF	16	WORM SHAFT	1	STEEL
4	Disc O'ring(A)	2	EPDM.VITON	17	Set Pin	1	K7
5	Disc O'ring(B)	2	EPDM.VITON	18	Hand Wheel	1	CAST IRON
6	Stern	1	SUS210	19	Tightening Bolt	4	SUS304
7	Stem O'ring	2	EPDM.VITON	20	Bearing	4	COPPER
8	Gear Box	1	CAST IRON	21	SPUR GEAR BODY	1	CAST IRON
9	Gear Box Cap	1	CAST IRON	22	SPUR GEAR	1	STEEL
10	Side Cap	1	CAST IRON	23	SPUR GEAR SHAFT	1	STEEL
11	Indicator Plate	1	CAST IRON	24	SPUR GEAR COVER	1	CAST IRON
12	Gear	1	DUCTILE IRON	25	BOLT	6	STEEL
13	Oil Seal	1	PAPER				

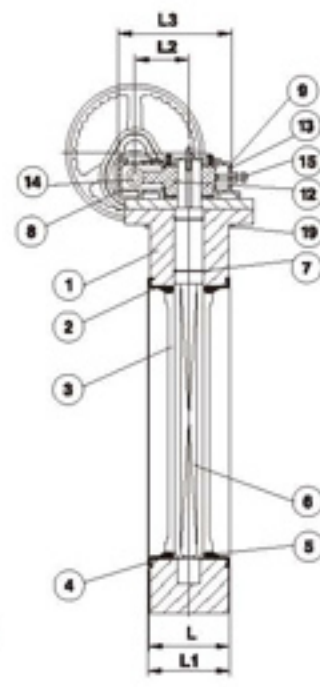
53



UPVC / CPVC
PIPE FITTING VALVE



DN700~DN1200



DIMENSIONS TABLE

Nom. size DN(Inch)	JIS											Unit: mm	
	D1	D2	D3	n	e	H1	H2	H3	K	D4	L	L1	
700(28")	680	840	928	24	33	495	555	140	306	508	200	206	
800(32")	780	950	1060	28	33	560	625	142	370	406	234	244	
900(36")	870	1050	1175	28	33	620	690	142	370	406	234	245	
1000(40")	970	1160	1286	28	39	685	750	210	471	508	294	301	
1100(44")	1070	1275	1403	28	39	712	823	210	471	508	294	301	
1200(48")	1170	1380	1512	32	39	776	876	210	471	508	294	301	

Nom. size DN(Inch)	ANSI											Unit: inch	
	D1	D2	D3	n	e	H1	H2	H3	K	D4	L	L1	
700(28")	26.77	33.99	36.54	24	1.37	19.49	21.85	5.51	12.04	20	7.87	8.11	
800(32")	30.70	38.50	41.73	24	1.61	22.05	24.61	5.59	14.58	16	9.21	9.60	
900(36")	34.25	42.75	46.26	32	1.62	24.41	27.17	5.59	14.58	16	9.21	9.64	
1000(40")	38.18	46.25	50.83	32	1.62	26.97	29.53	8.27	18.54	20	11.57	11.85	
1100(44")	42.12	51.75	55.25	40	1.62	28.03	32.48	8.27	18.54	20	11.57	11.85	
1200(48")	46.06	56.00	59.52	44	1.62	30.55	34.48	8.27	18.54	20	11.57	11.85	

Nom. size DN(Inch)	DIN											Unit: mm	
	D1	D2	D3	n	e	H1	H2	H3	K	D4	L	L1	
700(28")	680	840	928	24	30	495	555	140	306	508	200	206	
800(32")	780	950	1060	24	33	560	625	142	370	406	234	244	
900(36")	870	1050	1175	28	33	620	690	142	370	406	234	245	
1000(40")	970	1175	1286	28	36	685	750	210	471	508	294	301	
1100(44")	1070	—	1403	—	—	712	825	210	471	508	294	301	
1200(48")	1170	—	1512	32	39	776	876	210	471	508	294	301	

54