



IN-LINE SPRING FOOT VALVE



JD Series

彈簧式福特閥

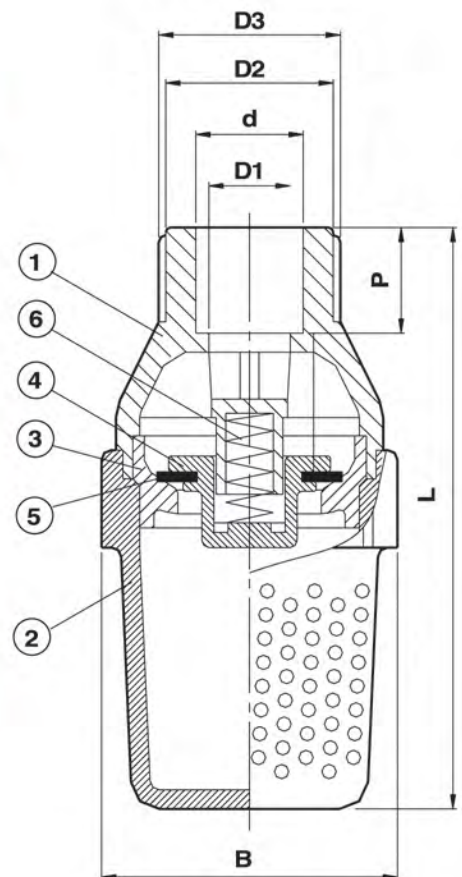
SOCKET JD100 / THREAD JD200
Size: 1/2" - 2"

MATERIALS OF CONSTRUCTION

No	Part	Material	Q'ty
1	UPPER BODY	UPVC	1
2	FILTER	UPVC	1
3	CONNECTIR SEAT	UPVC	1
4	SPIGOT	UPVC	1
5	SEAL	EPDM	1
6	SPRING	SUS 304	1

DIMENSIONS TABLE

Nom		SIZE	15mm (1/2')	20mm (3/4')	25mm (1')	32mm (1-1/4')	40mm (1-1/2')	50mm (2')
d	JIS (mm)	Socket	20	26	32	38	48	60
		Thread	PT1/2	PT3/4	PT1	PT1-1/4	PT1-1/2	PT2
	ANSI (inch)	Socket	0.840	1.050	1.315	1.660	1.900	2.375
		Thread	NPT1/2	NPT3/4	NPT1	NPT1-1/4	NPT1-1/2	NPT2
	DIN (mm)	Socket	20	25	32	40	50	63
		Thread	R1/2	R3/4	R1	R1-1/4	R1-1/2	R2
P	JIS(mm)		22.2	25.4	28.6	31.8	34.9	38.1
	ANSI(inch)		0.875	1.000	1.125	1.250	1.375	1.500
	DIN(mm)		16.0	18.5	22.0	26.0	31.0	37.5
D1			17	21	28	35	40	52
D2			35	35	45	52	60	73
D3			37	37	47	54	62	75
B			56	56	71	102	102	114
L			129	129	149	173	173	211



DN15~DN50