



IN-LINE SPRING CHECK VALVE



JC Series

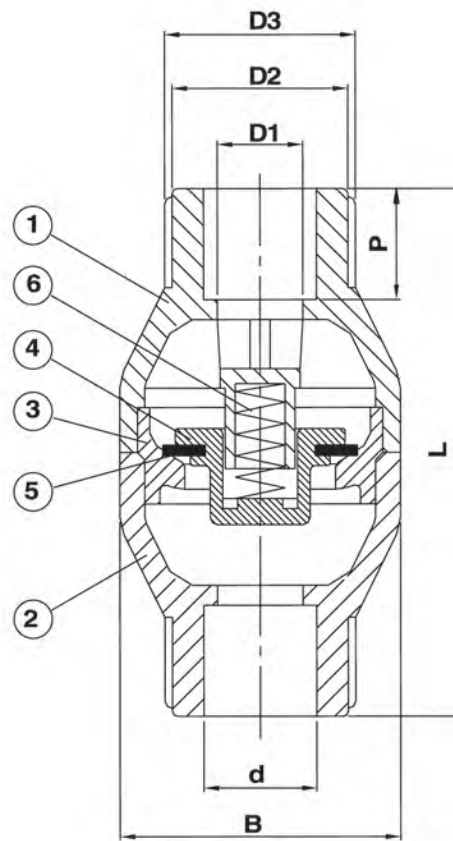
彈簧逆止閥

SOCKET JC100 / THREAD JC200
Size: 1/2" - 2"

TEST PRESSURE: 225 PSI
WORKING PRESSURE: 150 PSI

● **MATERIALS OF CONSTRUCTION**

NO	PART	MATERIAL	Q'TY
1	UPPER BODY	UPVC	1
2	LOWER BODY	UPVC	1
3	CONNECTIR SEAT	UPVC	1
4	SPIGOT	UPVC	1
5	SEAL	EPDM	1
6	SPRING	SUS 304	1



DN15~DN50

DIMENSIONS TABLE

Nom		SIZE	15mm (1/2')	20mm (3/4')	25mm (1')	32mm (1-1/4')	40mm (1-1/2')	50mm (2')
d	JIS (mm)	Socket	22	26	32	38	48	60
		Thread	PT1/2	PT3/4	PT1	PT1-1/4	PT1-1/2	PT2
	ANSI (inch)	Socket	0.840	1.050	1.315	1.660	1.900	2.375
		Thread	NPT1/2	NPT3/4	NPT1	NPT1-1/4	NPT1-1/2	NPT2
	DIN (mm)	Socket	20	25	32	40	50	63
		Thread	R1/2	R3/4	R1	R1-1/4	R1-1/2	R2
P	JIS(mm)	22.2	25.4	28.6	31.8	34.9	38.1	
	ANSI(inch)	0.875	1.000	1.125	1.250	1.375	1.500	
	DIN(mm)	16.0	18.5	22.0	26.0	31.0	37.5	
D1			17	21	28	35	40	52
D2			35	35	45	52	60	73
D3			37	37	47	54	62	75
B			56	56	73	91	91	107
L			105	105	134	157	157	178