

Ball Check Valve

ADVANTAGES:

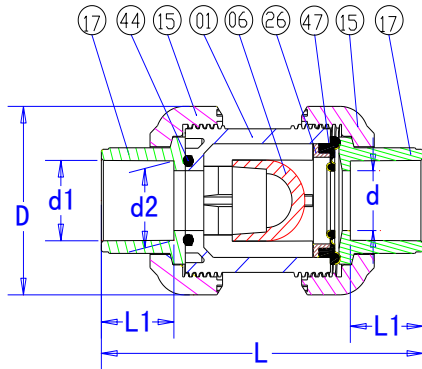
- 1) New CUP shape ball can stop water by just 0.5kg pressure
- 2) Materials meet drinking water standard
- 3) 100% pure virgin material, CaCO3 free (Chalk)
- 4) UV resistant powder added
- 5) Can be assembled vertically or horizontally

DESCRIPTION:

- 1) Material: PVC, CPVC, PP, Clear PVC
- 2) Size: 1/2" - 2"; 20mm - 63mm ; DN15 - DN50
- 3) Standard: ANSI, DIN, JIS, CNS
- 4) Joint End: Socket or Threaded(NPT,PT,BSPF), Fusion, Welding
- 5) Working Pressure: 150 PSI
- 6) Operating Temperature: PVC(0~55℃); CPVC & PP(0~95℃)
- 7) Valve body color : PVC(dark gray), CPVC(light gray), PP(light yellow), Clear PVC(transperance)



SPECIFICATIONS:

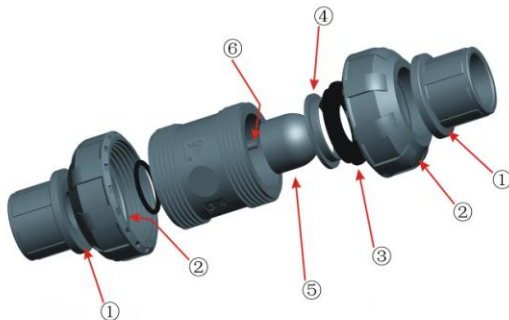


ITEM	PART	MATERIAL	QTY
01	BODY	PVC / CPVC / PP / CLEAR PVC	1
06	BALL	PVC / CPVC / PP / CLEAR PVC	1
15	UNION NUT	PVC / CPVC / PP / CLEAR PVC	2
17	UNION END	PVC / CPVC / PP / CLEAR PVC	2
26	BUCKLE	PVC / CPVC / PP / CLEAR PVC	1
44	ORING	EPDM / VITON	1
47	SEAL	EPDM / VITON	1

Unit: MM

SIZE	d	d1				d2				D	L	L1
		ANSI	DIN	JIS	CNS	ANSI	DIN	JIS	CNS			
1/2"(15)	15	21.54	20.30	22.40	22.40	21.23	20.10	21.73	21.90	54.00	96.00	22.30
3/4"(20)	20	26.87	25.30	26.45	26.40	26.57	25.10	25.69	25.90	63.00	112.00	25.50
1"(25)	25	33.65	32.30	32.55	34.50	33.27	32.10	31.70	33.90	73.50	129.00	28.60
1 1/4"(32)	32	42.42	40.30	38.60	42.50	42.04	40.10	37.65	41.90	84.50	146.00	32.00
1 1/2"(40)	40	48.56	50.30	48.70	48.60	48.11	50.10	47.74	47.90	98.00	158.50	35.00
2"(50)	50	60.63	63.30	60.80	60.60	60.17	63.10	59.78	59.90	119.00	167.00	38.00

DESIGNS:



- ① Union-end plane after turning to ensure a more reliable flatness
- ② Increase the nut-solid, thread taper and laps, improved pressure-resistant
- ③ Thickening Oring, more toughness, sealing better
- ④ Seat is designed to fix the sealing performance
- ⑤ From the platform to the half-ball sealed, more reliable performance, sealing pressure levels increased (0.5kg-10kg), and it can easy to install by horizontal or vertical
- ⑥ In the ribs from three to six, making better diversion

Flanged Ball Check Valve

ADVANTAGES:

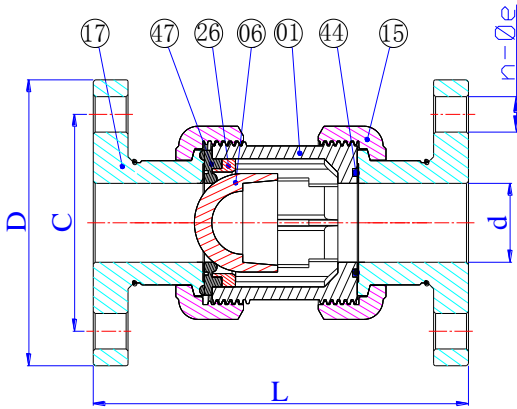
- 1) New CUP shape ball can stop water by just 0.5kg pressure
- 2) Materials meet drinking water standard
- 3) 100% pure virgin material, CaCO₃ free (Chalk)
- 4) UV resistant powder added
- 5) Can be assembled vertically or horizontally

DESCRIPTION:

- 1) Material: PVC, CPVC, PP
- 2) Size: 1/2" - 2"; 20mm - 63mm ; DN15 - DN50
- 3) Standard: ANSI, DIN, JIS, CNS
- 4) Joint End: Flanges
- 5) Working Pressure: 150 PSI
- 6) Operating Temperature: PVC(0~55℃); CPVC & PP(0~95℃)
- 7) Valve body color : PVC(dark gray), CPVC(light gray), PP(light yellow)



SPECIFICATIONS:



ITEM	PART	MATERIAL	QTY
01	BODY	PVC / CPVC / PP	1
06	BALL	PVC / CPVC / PP	1
15	UNION NUT	PVC / CPVC / PP	2
17	FLANGE	PVC / CPVC / PP	2
26	BUCKLE	PVC / CPVC / PP	1
44	ORING	EPDM / VITON	1
47	SEAL	EPDM / VITON	1

Unit: MM

SIZE	d	D	C			L	n-φe
			ANSI	JIS	DIN		
1/2"(15)	15	95.00	60.50	70.00	65.00	130.80	4-15
3/4"(20)	20	105.00	70.00	75.00	75.00	150.00	4-15
1"(25)	25	125.00	79.20	90.00	85.00	166.50	4-19
1 1/4"(32)	32	140.00	89.00	100.00	100.00	183.50	4-19
1 1/2"(40)	40	150.00	98.00	105.00	110.00	200.00	4-19
2"(50)	50	165.00	121.00	120.00	125.00	222.50	4-19